

Specification sheet / Fiche technique
SUSPENSION

ZOOLA - S

Structure Finish / Fini structure

- | | |
|---|---|
| <input type="checkbox"/> SN Satin Nickel | <input type="checkbox"/> BK Black Semi-Gloss |
| <input type="checkbox"/> SB Satin Brass | <input type="checkbox"/> WH White Semi-Gloss |
| <input type="checkbox"/> CHR Chrome | |
- Other Finish Available*

Suspension Option / Option de suspension

- | | |
|---|--|
| <input type="checkbox"/> ST Stem (Same Color As Structure) | |
| 3 X Aircraft Cable + Round Electrical Wire | 4 X Aircraft Cable + Round Electrical Wire |
| <input type="checkbox"/> CL4WH White | <input type="checkbox"/> CL5WH White |
| <input type="checkbox"/> CL4CLR Clear | <input type="checkbox"/> CL5CLR Clear |
| <input type="checkbox"/> CL4BK Black | <input type="checkbox"/> CL5BK Black |
- Other Wire Color Available*
• Sloped Ceiling Adapter Available

Shade Finish / Fini abat-jour

- | | |
|---|--|
| <input type="checkbox"/> GYFT38 3/8 Grey Felt Fabric | |
| <input type="checkbox"/> BKFT38 3/8 Black Felt Fabric | |
| <input type="checkbox"/> BEFT38 3/8 Beige Felt Fabric | |
| <input type="checkbox"/> RDFT38 3/8 Red Felt Fabric | |
| <input type="checkbox"/> BLFT38 3/8 Blue Felt Fabric | |
| <input type="checkbox"/> GNFT38 3/8 Green Felt Fabric | |
| <input type="checkbox"/> YLFT38 3/8 Yellow Felt Fabric | |
- Other Color Felt Available*

Voltage / Voltage

- | | |
|--------------------------------------|--------------------------------------|
| <input type="checkbox"/> 120V | <input type="checkbox"/> 277V |
|--------------------------------------|--------------------------------------|

Dimming Option / Option de gradation

- | | |
|---|--|
| <input type="checkbox"/> 0-10V 0-10V Dimming 120V-277V | |
| <input type="checkbox"/> ND No Dimming | |
- Other Option Available*

Light Source / Source lumineuse

- | | |
|--|--|
| <input type="checkbox"/> LED-4-I Integral LED ±4W | |
|--|--|
- Other Option Available*

Color Temperature - Lumens
Température de couleur - lumens

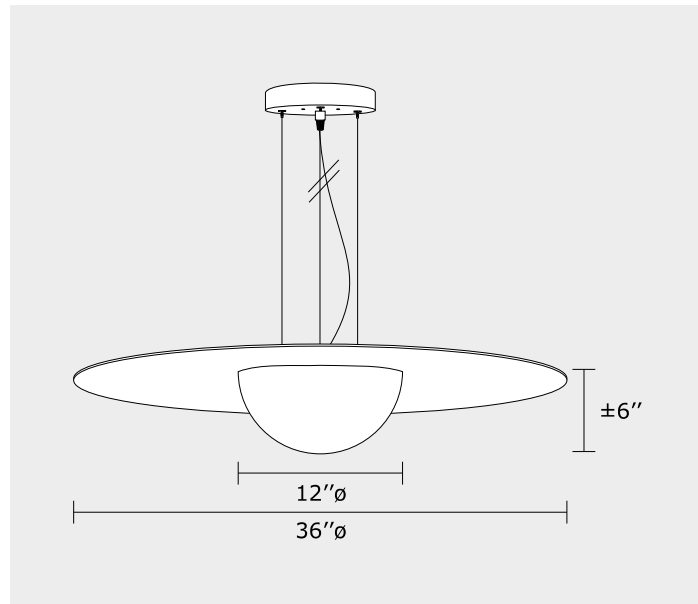
- | | |
|---|---|
| <input type="checkbox"/> 27 2700K 800 lm | <input type="checkbox"/> 41 4100K 800 lm |
| <input type="checkbox"/> 30 3000K 800 lm | <input type="checkbox"/> 50 5000K 800 lm |
| <input type="checkbox"/> 35 3500K 800 lm | |

Project name / Nom du projet

Date

Type

Notes



Due to continuous improvement, we reserve the right to change our products specifications.

Dans le but d'une constante amélioration, nous nous réservons le droit de changer les spécifications de nos produits.

