

**Specification sheet / Fiche technique**  
**CEILING**

# OVO - C

**Structure Finish / Fini structure**

- |   |   |
|---|---|
| <input type="checkbox"/> <b>SN</b> Satin Nickel | <input type="checkbox"/> <b>BK</b> Black Semi-Gloss |
| <input type="checkbox"/> <b>SB</b> Satin Brass  | <input type="checkbox"/> <b>WH</b> White Semi-Gloss |
| <input type="checkbox"/> <b>CHR</b> Chrome      |   |
- Other Finish Available*

**Globe Specification / Spécification du globe**

- School House Glass Opal
- 12EEGSH** 12"ø Egg Shape

**Globe Specification / Spécification du globe**

- Acrylic
- |   |  |
|---|--|
| <input type="checkbox"/> <b>AWH</b> White | <input type="checkbox"/> <b>ACLR</b> Clear |
|---|--|

**Shade Finish / Fini abat-jour**

- |   |
|---|
| <input type="checkbox"/> <b>GYFT38</b> ¾ Grey Felt Fabric   |
| <input type="checkbox"/> <b>BKFT38</b> ¾ Black Felt Fabric  |
| <input type="checkbox"/> <b>BEFT38</b> ¾ Beige Felt Fabric  |
| <input type="checkbox"/> <b>RDFT38</b> ¾ Red Felt Fabric    |
| <input type="checkbox"/> <b>BLFT38</b> ¾ Blue Felt Fabric   |
| <input type="checkbox"/> <b>GNFT38</b> ¾ Green Felt Fabric  |
| <input type="checkbox"/> <b>YLFT38</b> ¾ Yellow Felt Fabric |
- Other Color Felt Available*

**Voltage / Voltage**

- |                                      |                                      |
|--------------------------------------|--------------------------------------|
| <input type="checkbox"/> <b>120V</b> | <input type="checkbox"/> <b>277V</b> |
|--------------------------------------|--------------------------------------|

**Dimming Option / Option de gradation**

- |   |
|---|
| <input type="checkbox"/> <b>0-10V</b> 0-10V Dimming 120V-277V |
| <input type="checkbox"/> <b>ND</b> No Dimming                 |
- Other Option Available*

**Light Source / Source lumineuse**

- |   |
|---|
| <input type="checkbox"/> <b>MBL-A21-1</b> 1 X 19W A21 LED |
| <input type="checkbox"/> <b>LED-7-I</b> Integral LED ±7W  |
- Other Option Available*

**Color Temperature - Lumens**  
**Température de couleur - lumens**

- |  |  |
|--|--|
| <input type="checkbox"/> <b>30</b> 3000K 1180 lm | <input type="checkbox"/> <b>40</b> 4000K 1180 lm |
| <input type="checkbox"/> <b>35</b> 3500K 1180 lm | <input type="checkbox"/> <b>50</b> 5000K 1180 lm |

**Project name / Nom du projet**

---



---



---

**Date**

**Type**

---

**Notes**

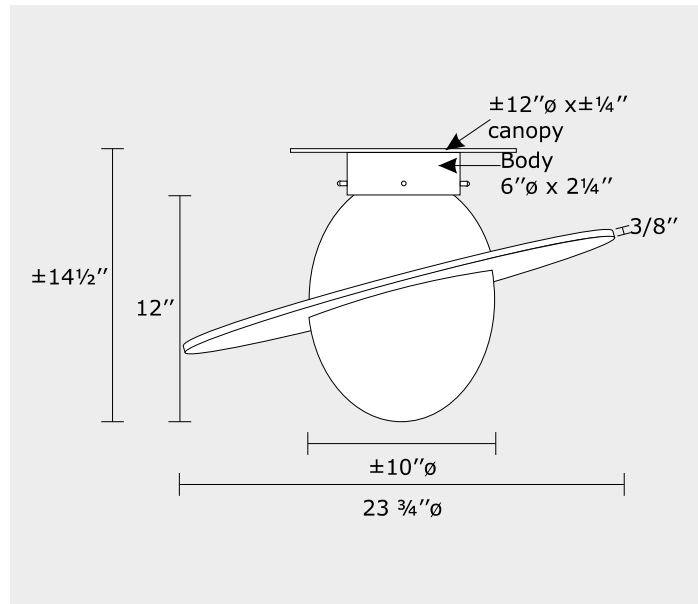
---



---



---



Due to continuous improvement, we reserve the right to change our products specifications.  
 Dans le but d'une constante amélioration, nous nous réservons le droit de changer les spécifications de nos produits.

