

Specification sheet / Fiche technique
SUSPENSION

HUSK - S

Structure Finish / Fini structure

- | | |
|---|---|
| <input type="checkbox"/> SN Satin Nickel | <input type="checkbox"/> BK Black Semi-Gloss |
| <input type="checkbox"/> SB Satin Brass | <input type="checkbox"/> WH White Semi-Gloss |
| <input type="checkbox"/> CHR Chrome | |
- Other Finish Available*

Suspension Option / Option de suspension

- | | |
|---|--|
| <input type="checkbox"/> ST Stem (Same Color As Structure) | 1 X Aircraft Cable + Round Electrical Wire |
|---|--|
- Round Electrical Wire Only
- | | |
|--|--|
| <input type="checkbox"/> CL1WH White | <input type="checkbox"/> CL2WH White |
| <input type="checkbox"/> CL1CLR Clear | <input type="checkbox"/> CL2CLR Clear |
| <input type="checkbox"/> CL1BK Black | <input type="checkbox"/> CL2BK Black |
- Other Wire Color Available
• Sloped Ceiling Adapter Available*

Shade Finish / Fini abat-jour

- | |
|--|
| <input type="checkbox"/> WHAC4 White Acrylic Cylinder 4"ø |
| <input type="checkbox"/> WHAC6 White Acrylic Cylinder 6"ø |
| <input type="checkbox"/> WHAC8 White Acrylic Cylinder 8"ø |
- Other Option Available*

Shade Finish / Fini abat-jour

- | | |
|--|---|
| <input type="checkbox"/> GYFT38 3/8 Grey Felt Fabric | <input type="checkbox"/> BLFT38 3/8 Blue Felt Fabric |
| <input type="checkbox"/> BKFT38 3/8 Black Felt Fabric | <input type="checkbox"/> GNFT38 3/8 Green Felt Fabric |
| <input type="checkbox"/> BEFT38 3/8 Beige Felt Fabric | <input type="checkbox"/> YLFT38 3/8 Yellow Felt Fabric |
| <input type="checkbox"/> RDFT38 3/8 Red Felt Fabric | |
- Other Color Felt Available*

Voltage / Voltage

- 120V**

Dimming Option / Option de gradation

- | | |
|--|---|
| <input type="checkbox"/> ELVD ELV Dimming | <input type="checkbox"/> ND No Dimming |
| <input type="checkbox"/> TD Triac Dimming | |
- Other Option Available*

Light Source / Source lumineuse

- LED-10-I** Integral LED ±10W
- Other Option Available*

Color Temperature - Lumens

Température de couleur - lumens

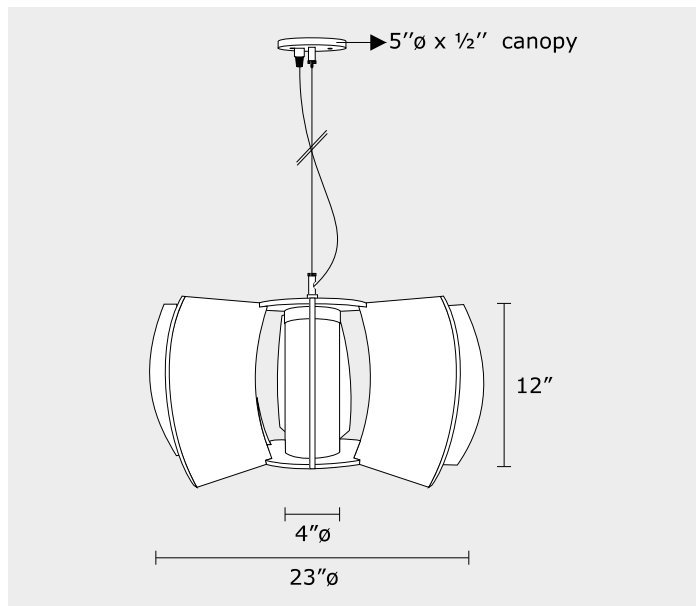
- | | |
|---|---|
| <input type="checkbox"/> 35 3500K 980 lm | <input type="checkbox"/> 27 2700K 980 lm |
| <input type="checkbox"/> 30 3000K 980 lm | |

Project name / Nom du projet

Date

Type

Notes



Due to continuous improvement, we reserve the right to change our products specifications.

Dans le but d'une constante amélioration, nous nous réservons le droit de changer les spécifications de nos produits.

