

**Specification sheet / Fiche technique**  
SUSPENSION

# FRITZ - S

**Structure Finish / Fini structure**

- MG** Metallic Grey Powder Coated
- GDPC** Gold Powder Coated
- BK** Black Semi-Gloss Powder Coated
- MBK** Matte Black Powder Coated
- WH** White Semi-Gloss Powder Coated
- MWH** Matte White Powder Coated

• Other Finish Available

**Suspension Option / Option de suspension**

- ST** Stem (Same Color As Structure)
- |  |  |
|--|--|
| <ul style="list-style-type: none"> <li><input type="checkbox"/> <b>CL4WH</b> White</li> <li><input type="checkbox"/> <b>CL4CLR</b> Clear</li> <li><input type="checkbox"/> <b>CL4BK</b> Black</li> </ul> | <ul style="list-style-type: none"> <li><input type="checkbox"/> <b>CL5WH</b> White</li> <li><input type="checkbox"/> <b>CL5CLR</b> Clear</li> <li><input type="checkbox"/> <b>CL5BK</b> Black</li> </ul> |
|--|--|

• Other Wire Color Available  
• Sloped Ceiling Adapter Available

**Shade Finish / Fini abat-jour**

- |   |  |
|---|--|
| <ul style="list-style-type: none"> <li><input type="checkbox"/> <b>GYFT38</b> 3/8 Grey Felt Fabric</li> <li><input type="checkbox"/> <b>BKFT38</b> 3/8 Black Felt Fabric</li> <li><input type="checkbox"/> <b>BEFT38</b> 3/8 Beige Felt Fabric</li> <li><input type="checkbox"/> <b>RDFT38</b> 3/8 Red Felt Fabric</li> </ul> | <ul style="list-style-type: none"> <li><input type="checkbox"/> <b>BLFT38</b> 3/8 Blue Felt Fabric</li> <li><input type="checkbox"/> <b>GNFT38</b> 3/8 Green Felt Fabric</li> <li><input type="checkbox"/> <b>YLFT38</b> 3/8 Yellow Felt Fabric</li> </ul> |
|---|--|

• Other Color Felt Available

**Voltage / Voltage**

- 120V**

**Dimming Option / Option de gradation**

- ELVD** ELV Dimming
- TD** Triac Dimming
- ND** No Dimming

• Other Option Available

**Light Source / Source lumineuse**

- LED-18-I** Integral LED ±18W

• Other Option Available

**Color Temperature - Lumens**

**Température de couleur - lumens**

- |                                    |               |                                    |               |
|------------------------------------|---------------|------------------------------------|---------------|
| <input type="checkbox"/> <b>30</b> | 3000K 2260 lm | <input type="checkbox"/> <b>40</b> | 4000K 2260 lm |
| <input type="checkbox"/> <b>35</b> | 3500K 2260 lm | <input type="checkbox"/> <b>50</b> | 5000K 2260 lm |

**Project name / Nom du projet**

---



---



---

**Date**

**Type**

---



---

**Notes**

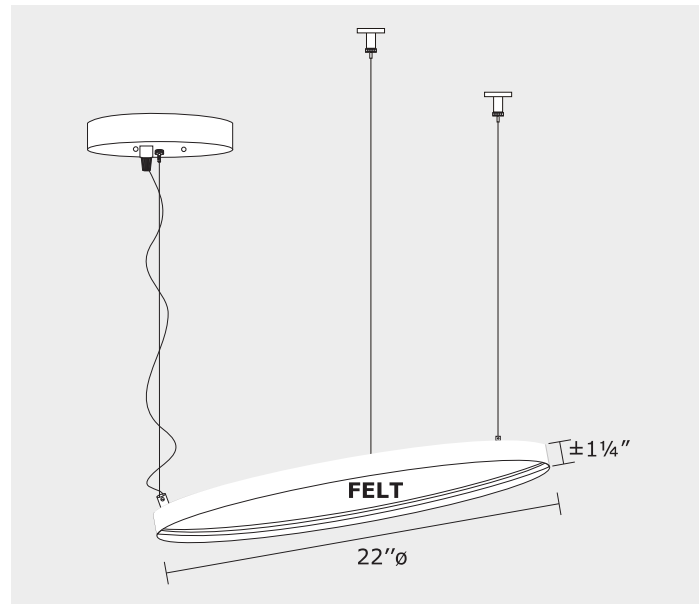
---



---



---



Due to continuous improvement, we reserve the right to change our products specifications.

Dans le but d'une constante amélioration, nous nous réservons le droit de changer les spécifications de nos produits.

