

Specification sheet / Fiche technique
SUSPENSION

BAHIA CVO 37 - S

Structure Finish / Fini structure

- MG** Metallic Grey Powder Coated
- GDPC** Gold Powder Coated
- BK** Black Semi-Gloss Powder Coated
- MBK** Matte Black Powder Coated
- WH** White Semi-Gloss Powder Coated
- MWH** Matte White Powder Coated

• Other Finish Available

Suspension Option / Option de suspension

- ST** Stem (Same Color As Structure)
- | | |
|--|--|
| <ul style="list-style-type: none"> <input type="checkbox"/> CL4WH White <input type="checkbox"/> CL4CLR Clear <input type="checkbox"/> CL4BK Black | <ul style="list-style-type: none"> <input type="checkbox"/> CL5WH White <input type="checkbox"/> CL5CLR Clear <input type="checkbox"/> CL5BK Black |
|--|--|

• Other Wire Color Available
• Sloped Ceiling Adapter Available

Shade Finish / Fini abat-jour

- | | |
|---|--|
| <ul style="list-style-type: none"> <input type="checkbox"/> GYFT38 3/8 Grey Felt Fabric <input type="checkbox"/> BKFT38 3/8 Black Felt Fabric <input type="checkbox"/> BEFT38 3/8 Beige Felt Fabric <input type="checkbox"/> RDFT38 3/8 Red Felt Fabric | <ul style="list-style-type: none"> <input type="checkbox"/> BLFT38 3/8 Blue Felt Fabric <input type="checkbox"/> GNFT38 3/8 Green Felt Fabric <input type="checkbox"/> YLFT38 3/8 Yellow Felt Fabric |
|---|--|

• Other Color Felt Available

Voltage / Voltage

- 120V**
- 277V**

Dimming Option / Option de gradation

- 0-10V** 0-10V Dimming 120V-277V
- ND** No Dimming

• Other Option Available

Light Source / Source lumineuse

- MBL-A21-1** 1 X 19W A21 LED
- LED-18-I** Integral LED ±18W

• Other Option Available

Color Temperature - Lumens

Température de couleur - lumens

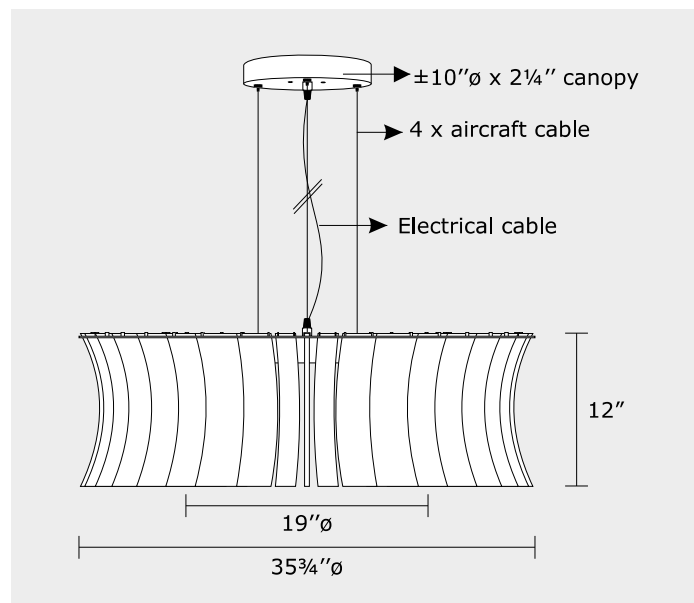
- | | |
|--|--|
| <input type="checkbox"/> 30 3000K 2260 lm | <input type="checkbox"/> 40 4000K 2260 lm |
| <input type="checkbox"/> 35 3500K 2260 lm | <input type="checkbox"/> 50 5000K 2260 lm |

Project name / Nom du projet

Date

Type

Notes



Due to continuous improvement, we reserve the right to change our products specifications.

Dans le but d'une constante amélioration, nous nous réservons le droit de changer les spécifications de nos produits.

