

Specification sheet / Fiche technique
SUSPENSION

YONI - S

Structure Finish / Fini structure

- MG** Metallic Grey Powder Coated
- GDPC** Gold Powder Coated
- BK** Black Semi-Gloss Powder Coated
- MBK** Matte Black Powder Coated
- WH** White Semi-Gloss Powder Coated
- MWH** Matte White Powder Coated

• Other Finish Available

Suspension Option / Option de suspension

- ST** Stem (Same Color As Structure)
- Round Electrical Wire Only 1 X Aircraft Cable + Round Electrical Wire
- CL1WH** White **CL2WH** White
 - CL1CLR** Clear **CL2CLR** Clear
 - CL1BK** Black **CL2BK** Black

• Other Wire Color Available
• Sloped Ceiling Adapter Available

Globe Specification / Spécification du globe

- | | |
|--|--|
| Glass | Acrylic |
| <input type="checkbox"/> GWH White | <input type="checkbox"/> AWH White |
| <input type="checkbox"/> GCLR Clear | <input type="checkbox"/> ACLR Clear |

Globe Diameter / Diamètre du globe

- 6** 6" ø
 - 8** 8" ø
- Other Diameter Available

Voltage / Voltage

- 120V**

Light Source / Source lumineuse

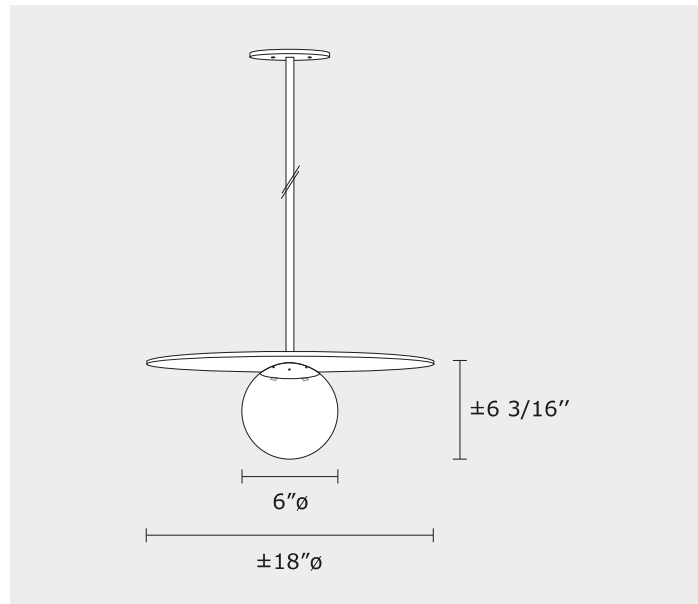
- MBL-A15-1** 1 X 4.5W A15 LED

Project name / Nom du projet

Date

Type

Notes



Due to continuous improvement, we reserve the right to change our products specifications.

Dans le but d'une constante amélioration, nous nous réservons le droit de changer les spécifications de nos produits.

