

Specification sheet / Fiche technique  
WALL

# ARYANA - W

Structure Finish  
/ Fini structure

- SN** Satin Nickel
- SB** Satin Brass
- CHR** Chrome
- BK** Black Semi-Gloss
- WH** White Semi-Gloss

Detail Finish  
/ Fini du détail

- SN** Satin Nickel
- SB** Satin Brass
- CHR** Chrome
- BK** Black Semi-Gloss
- WH** White Semi-Gloss

• Other Finish Available

Shade Finish / Fini abat-jour

- MG** Metallic Grey Powder Coated
- GDPC** Gold Powder Coated
- BK** Black Semi-Gloss Powder Coated
- MBK** Matte Black Powder Coated
- WH** White Semi-Gloss Powder Coated
- MWH** Matte White Powder Coated

• Other Finish Available

Voltage / Voltage

- 120V**

Light Source / Source lumineuse

- MBL-A21-1** 1 X 19W A21 LED
- MBL-G40-1** 1 X 6.4W G40 LED

• Other Option Available

Project name / Nom du projet

---



---



---

Date

Type

---

Notes

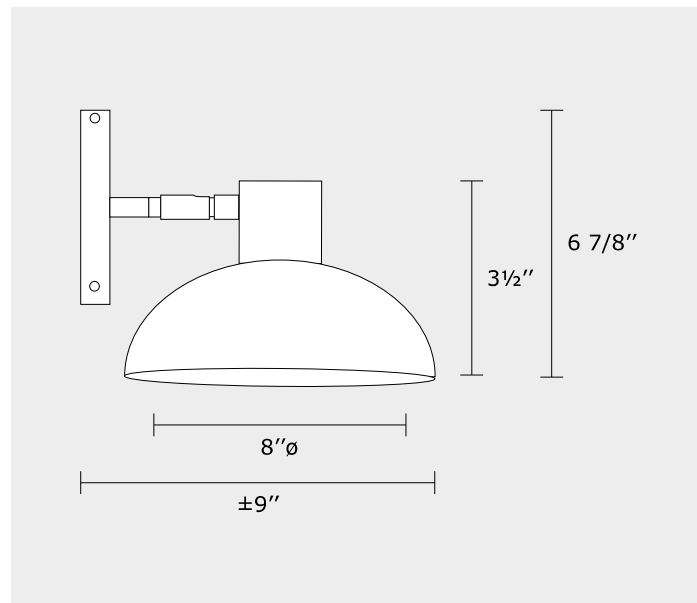
---



---



---



Due to continuous improvement, we reserve the right to change our products specifications.

Dans le but d'une constante amélioration, nous nous réservons le droit de changer les spécifications de nos produits.

