

Specification sheet / Fiche technique
CEILING

TAZ PG - C

Structure Finish / Fini structure

- | | |
|---|---|
| <input type="checkbox"/> SN Satin Nickel | <input type="checkbox"/> BK Black Semi-Gloss |
| <input type="checkbox"/> SB Satin Brass | <input type="checkbox"/> WH White Semi-Gloss |
| <input type="checkbox"/> CHR Chrome | |
- Other Finish Available*

Shade Finish / Fini abat-jour

- | | | | |
|---|---|---|---|
| Exterior color | | Interior color | |
| <input type="checkbox"/> BK Black Semi-Gloss | <input type="checkbox"/> BK Black Semi-Gloss | <input type="checkbox"/> BK Black Semi-Gloss | <input type="checkbox"/> BK Black Semi-Gloss |
| <input type="checkbox"/> WH White Semi-Gloss | <input type="checkbox"/> WH White Semi-Gloss | <input type="checkbox"/> WH White Semi-Gloss | <input type="checkbox"/> WH White Semi-Gloss |
| <input type="checkbox"/> MBK Matte Black | <input type="checkbox"/> MBK Matte Black | <input type="checkbox"/> MBK Matte Black | <input type="checkbox"/> MBK Matte Black |
| <input type="checkbox"/> MWH Matte White | <input type="checkbox"/> MWH Matte White | <input type="checkbox"/> MWH Matte White | <input type="checkbox"/> MWH Matte White |

Or Other Color: _____ Or Other Color: _____
• Other Finish Available

Voltage / Voltage

- 120V**

Light Source / Source lumineuse

- | | |
|---|---------------------|
| <input type="checkbox"/> MBL-A21-1 | 1 X1 9W A21 LED |
| <input type="checkbox"/> MBL-PAR20-1 | 1 X 11W PAR20 LED |
| <input type="checkbox"/> MBL-PAR30-1 | 1 X 18.5W PAR30 LED |
| <input type="checkbox"/> MBL-PAR38-1 | 1 X 18.5W PAR38 LED |
| <input type="checkbox"/> MBL-BR30-1 | 1 X 11.5W BR30 LED |
| <input type="checkbox"/> MBL-G40-1 | 1 X 6.4W G40 LED |

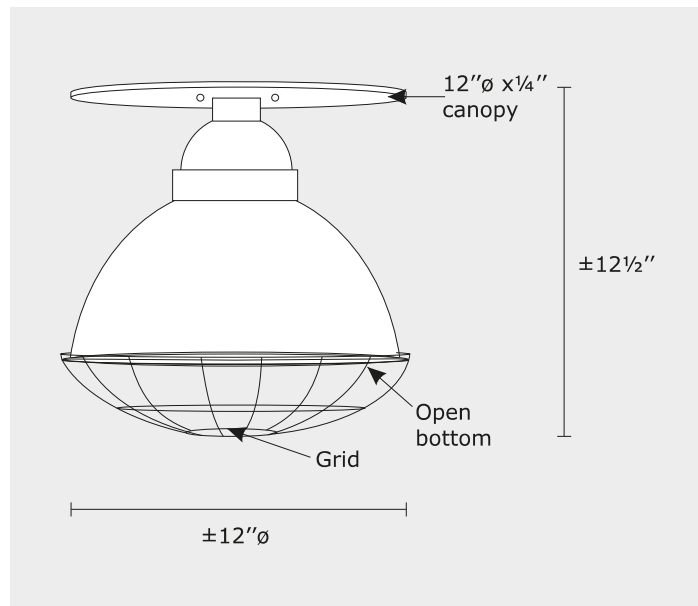
• Other Option Available

Project name / Nom du projet

Date

Type

Notes



Due to continuous improvement, we reserve the right to change our products specifications.

Dans le but d'une constante amélioration, nous nous réservons le droit de changer les spécifications de nos produits.

