

**Specification sheet / Fiche technique**  
SUSPENSION

# TUKO - S

Structure Finish / *Fini structure*

- |   |   |
|---|---|
| <input type="checkbox"/> <b>SN</b> Satin Nickel | <input type="checkbox"/> <b>BK</b> Black Semi-Gloss |
| <input type="checkbox"/> <b>SB</b> Satin Brass  | <input type="checkbox"/> <b>WH</b> White Semi-Gloss |
| <input type="checkbox"/> <b>CHR</b> Chrome      |   |
- Other Finish Available*

Suspension Option / *Option de suspension*

**2 X Aircraft Cable + Round Electrical Wire**

- |  |  |
|--|--|
| <input type="checkbox"/> <b>CL3WH</b> White  |  |
| <input type="checkbox"/> <b>CL3CLR</b> Clear |  |
| <input type="checkbox"/> <b>CL3BK</b> Black  |  |
- Other Wire Color Available*  
*• Sloped Ceiling Adapter Available*

Shade Finish / *Fini abat-jour*

- |   |  |
|---|--|
| <input type="checkbox"/> <b>MG</b> Metallic Grey Powder Coated    |  |
| <input type="checkbox"/> <b>GDPC</b> Gold Powder Coated           |  |
| <input type="checkbox"/> <b>BK</b> Black Semi-Gloss Powder Coated |  |
| <input type="checkbox"/> <b>MBK</b> Matte Black Powder Coated     |  |
| <input type="checkbox"/> <b>WH</b> White Semi-Gloss Powder Coated |  |
| <input type="checkbox"/> <b>MWH</b> Matte White Powder Coated     |  |
- Other Finish Available*

Voltage / *Voltage*

- 120V**

Light Source / *Source lumineuse*

- MBL-PAR20-1**    1 X 11W PAR20 LED
- Other Option Available*

Project name / *Nom du projet*

---



---



---

Date

Type

---



---

Notes

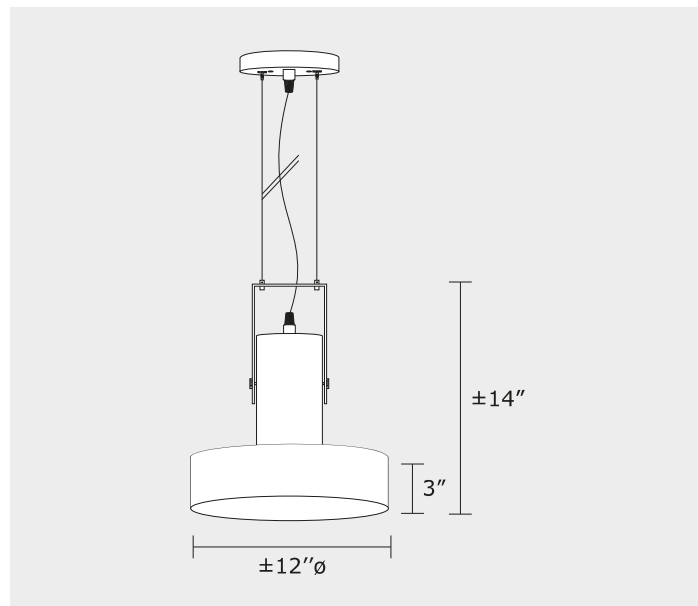
---



---



---



Due to continuous improvement, we reserve the right to change our products specifications.

Dans le but d'une constante amélioration, nous nous réservons le droit de changer les spécifications de nos produits.

