

## Structure Finish / Fini structure

- |                                     |              |                                    |                  |
|-------------------------------------|--------------|------------------------------------|------------------|
| <input type="checkbox"/> <b>SN</b>  | Satin Nickel | <input type="checkbox"/> <b>BK</b> | Black Semi-Gloss |
| <input type="checkbox"/> <b>SB</b>  | Satin Brass  | <input type="checkbox"/> <b>WH</b> | White Semi-Gloss |
| <input type="checkbox"/> <b>CHR</b> | Chrome       |                                    |                  |
- Other Finish Available*

## Shade Finish / Fini abat-jour

- |                                     |              |                                       |                           |
|-------------------------------------|--------------|---------------------------------------|---------------------------|
| <input type="checkbox"/> <b>WHF</b> | White Fabric | <input type="checkbox"/> <b>WHWF</b>  | White Washable Fabric     |
| <input type="checkbox"/> <b>BKF</b> | Black Fabric | <input type="checkbox"/> <b>OWHWF</b> | Off White Washable Fabric |
| <input type="checkbox"/> <b>IVF</b> | Ivory Fabric | <input type="checkbox"/> <b>TPWF</b>  | Taupe Washable Fabric     |
| <input type="checkbox"/> <b>BEF</b> | Beige Fabric |                                       |                           |
- Other Color Fabric Available  
• Other Washable Color Fabric Available*

## Dimming Option / Option de gradation

- |                                       |                         |  |  |
|---------------------------------------|-------------------------|--|--|
| <input type="checkbox"/> <b>0-10V</b> | 0-10V Dimming 120V-277V |  |  |
| <input type="checkbox"/> <b>ND</b>    | No Dimming              |  |  |
- Other Option Available*

## Light Source / Source lumineuse

- |   |                  |  |  |
|---|------------------|--|--|
| <input type="checkbox"/> <b>MBL-A21-2</b> | 2 X 19W A21 LED  |  |  |
| <input type="checkbox"/> <b>LED-7-I</b>   | Integral LED ±7W |  |  |
- Other Option Available*

## Color Temperature - Lumens

### Température de couleur - lumens

- |                                    |       |         |                                    |       |         |
|------------------------------------|-------|---------|------------------------------------|-------|---------|
| <input type="checkbox"/> <b>30</b> | 3000K | 1180 lm | <input type="checkbox"/> <b>40</b> | 4000K | 1180 lm |
| <input type="checkbox"/> <b>35</b> | 3500K | 1180 lm | <input type="checkbox"/> <b>50</b> | 5000K | 1180 lm |

## Project name / Nom du projet

---



---



---

Date

Type

---

Notes

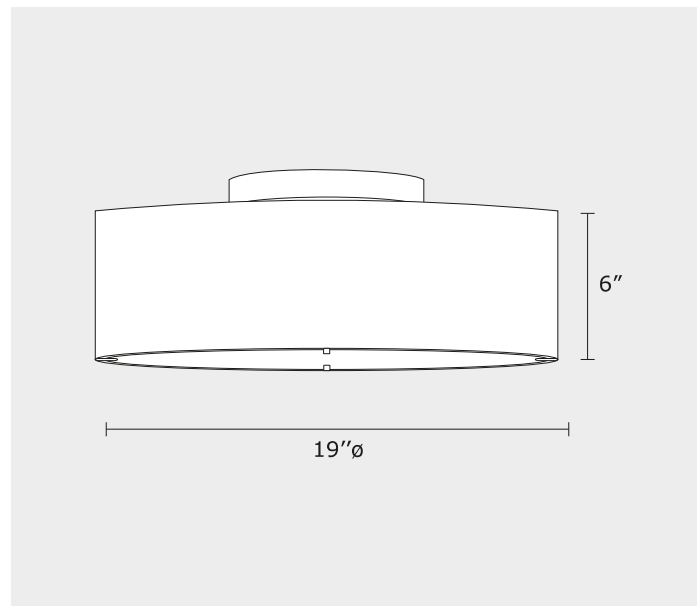
---



---



---



Due to continuous improvement, we reserve the right to change our products specifications.

Dans le but d'une constante amélioration, nous nous réservons le droit de changer les spécifications de nos produits.