

Specification sheet / Fiche technique
WALL

NIAGARA - W

Structure Finish / Fini structure

- | | | | |
|-------------------------------------|--------------|------------------------------------|------------------|
| <input type="checkbox"/> SN | Satin Nickel | <input type="checkbox"/> BK | Black Semi-Gloss |
| <input type="checkbox"/> SB | Satin Brass | <input type="checkbox"/> WH | White Semi-Gloss |
| <input type="checkbox"/> CHR | Chrome | | |
- Other Finish Available*

Shade Finish / Fini abat-jour

- | | |
|---------------------------------------|---------------------------|
| <input type="checkbox"/> WHF | White Fabric |
| <input type="checkbox"/> BKF | Black Fabric |
| <input type="checkbox"/> IVF | Ivory Fabric |
| <input type="checkbox"/> BEF | Beige Fabric |
| <input type="checkbox"/> WHWF | White Washable Fabric |
| <input type="checkbox"/> OWHWF | Off White Washable Fabric |
| <input type="checkbox"/> TPWF | Taupe Washable Fabric |
- Other Color Fabric Available
• Other Washable Color Fabric Available*

Dimming Option / Option de gradation

- | | |
|---------------------------------------|-------------------------|
| <input type="checkbox"/> 0-10V | 0-10V Dimming 120V-277V |
| <input type="checkbox"/> ND | No Dimming |
- Other Option Available*

Voltage / Voltage

120V **277V**

Light Source / Source lumineuse

- | | |
|--|------------------------|
| <input type="checkbox"/> LED-10-I | Integral LED $\pm 10W$ |
|--|------------------------|
- Other Option Available*

Color Temperature - Lumens

Température de couleur - lumens

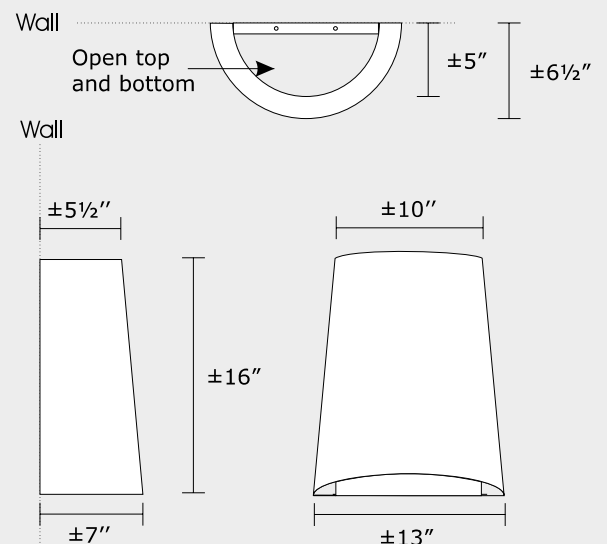
- | | | |
|------------------------------------|-------|---------|
| <input type="checkbox"/> 27 | 2700K | 1310 lm |
| <input type="checkbox"/> 30 | 3000K | 1361 lm |
| <input type="checkbox"/> 35 | 3500K | 1378 lm |
| <input type="checkbox"/> 41 | 4100K | 1428 lm |
| <input type="checkbox"/> 50 | 5000K | 1462 lm |

Project name / Nom du projet

Date

Type

Notes



Due to continuous improvement, we reserve the right to change our products specifications.

Dans le but d'une constante amélioration, nous nous réservons le droit de changer les spécifications de nos produits.

