

Specification sheet / Fiche technique
SUSPENSION

KOZY - S

Structure Finish / Fini structure

- MG** Metallic Grey Powder Coated
- GDPC** Gold Powder Coated
- BK** Black Semi-Gloss Powder Coated
- MBK** Matte Black Powder Coated
- WH** White Semi-Gloss Powder Coated
- MWH** Matte White Powder Coated

• Other Finish Available

Suspension Option / Option de suspension

- ST** Stem (Same Color As Structure)
- Round Electrical Wire Only 1 X Aircraft Cable + Round Electrical Wire
- CL1WH** White
 - CL2WH** White
 - CL1CLR** Clear
 - CL2CLR** Clear
 - CL1BK** Black
 - CL2BK** Black

• Other Wire Color Available
 • Sloped Ceiling Adapter Available

Shade Finish / Fini abat-jour

- GYFT** Grey Felt Fabric
- BLFT** Blue Felt Fabric
- BKFT** Black Felt Fabric
- GNFT** Green Felt Fabric
- BEFT** Beige Felt Fabric
- YLFT** Yellow Felt Fabric
- RDFT** Red Felt Fabric

• Other Color Felt Available

Voltage / Voltage

- 120V**

Light Source / Source lumineuse

- MBL-PAR20-1** 1 X 11W PAR20 LED
- MBL-PAR30-1** 1 X 18.5W PAR30 LED

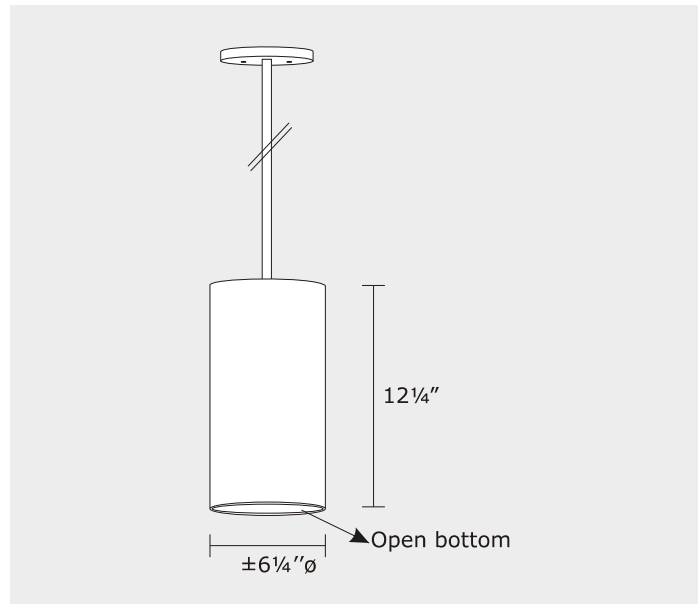
• Other Option Available

Project name / Nom du projet

Date

Type

Notes



Due to continuous improvement, we reserve the right to change our products specifications.

Dans le but d'une constante amélioration, nous nous réservons le droit de changer les spécifications de nos produits.

