

Specification sheet / Fiche technique
SUSPENSION

DAISY - S

Structure Finish / Fini structure

- | | |
|-------------------------------------------------|-----------------------------------------------------|
| <input type="checkbox"/> SN Satin Nickel | <input type="checkbox"/> BK Black Semi-Gloss |
| <input type="checkbox"/> SB Satin Brass | <input type="checkbox"/> WH White Semi-Gloss |
| <input type="checkbox"/> CHR Chrome | |
- Other Finish Available*

Suspension Option / Option de suspension

- | | |
|-------------------------------------------------------------------|----------------------------------------------|
| <input type="checkbox"/> ST Stem (Same Color As Structure) | |
| 3 X Aircraft Cable + Round Electrical Wire | 4 X Aircraft Cable + Round Electrical Wire |
| <input type="checkbox"/> CL4WH White | <input type="checkbox"/> CL5WH White |
| <input type="checkbox"/> CL4CLR Clear | <input type="checkbox"/> CL5CLR Clear |
| <input type="checkbox"/> CL4BK Black | <input type="checkbox"/> CL5BK Black |
- Other Wire Color Available
• Sloped Ceiling Adapter Available*

Shade Finish / Fini abat-jour

- | | |
|----------------------------------------------------------|-----------------------------------------------------------|
| <input type="checkbox"/> GYRB Grey Ribbon Fabric | <input type="checkbox"/> BLRB Blue Ribbon Fabric |
| <input type="checkbox"/> BKRB Black Ribbon Fabric | <input type="checkbox"/> GNRB Green Ribbon Fabric |
| <input type="checkbox"/> BERB Beige Ribbon Fabric | <input type="checkbox"/> YLRB Yellow Ribbon Fabric |
| <input type="checkbox"/> RDRB Red Ribbon Fabric | |
- Other Color ribbon Available*

Voltage / Voltage

- | | |
|--------------------------------------|--------------------------------------|
| <input type="checkbox"/> 120V | <input type="checkbox"/> 277V |
|--------------------------------------|--------------------------------------|

Dimming Option / Option de gradation

- | | |
|---------------------------------------------------------------|--|
| <input type="checkbox"/> 0-10V 0-10V Dimming 120V-277V | |
| <input type="checkbox"/> ND No Dimming | |
- Other Option Available*

Light Source / Source lumineuse

- | | |
|------------------------------------------------------------|--|
| <input type="checkbox"/> MBL-A21-4 4 X 19W A21 LED | |
| <input type="checkbox"/> LED-26-I Integral LED ±26W | |
- Other Option Available*

Color Temperature - Lumens

Température de couleur - lumens

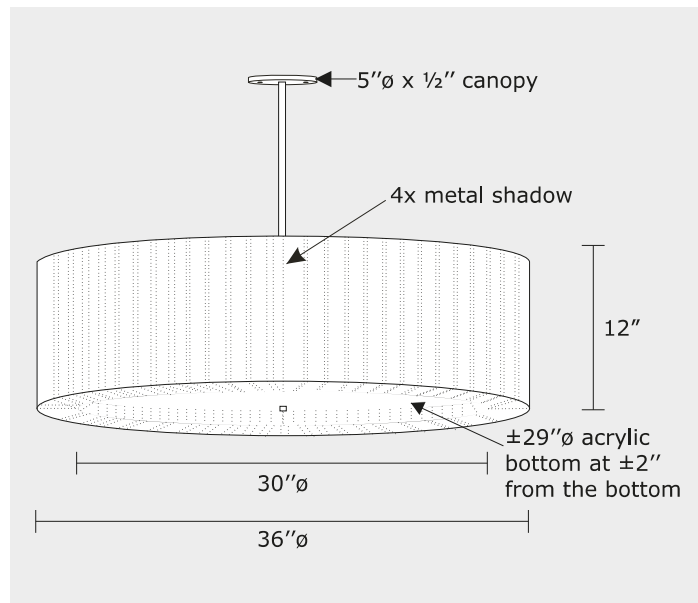
- | | |
|--------------------------------------------------|--------------------------------------------------|
| <input type="checkbox"/> 27 2700K 3570 lm | <input type="checkbox"/> 35 3500K 3570 lm |
| <input type="checkbox"/> 30 3000K 3570 lm | <input type="checkbox"/> 40 4000K 3570 lm |

Project name / Nom du projet

Date

Type

Notes



Due to continuous improvement, we reserve the right to change our products specifications.

Dans le but d'une constante amélioration, nous nous réservons le droit de changer les spécifications de nos produits.

