

Specification sheet / Fiche technique  
FLOOR

# BIKA - F

## Structure Finish / Fini structure

- MG** Metallic Grey Powder Coated
- GDPC** Gold Powder Coated
- BK** Black Semi-Gloss Powder Coated
- MBK** Matte Black Powder Coated
- WH** White Semi-Gloss Powder Coated
- MWH** Matte White Powder Coated

• Other Finish Available

## Shade Finish / Fini abat-jour

- MG** Metallic Grey Powder Coated
- GDPC** Gold Powder Coated
- BK** Black Semi-Gloss Powder Coated
- MBK** Matte Black Powder Coated
- WH** White Semi-Gloss Powder Coated
- MWH** Matte White Powder Coated

• Other Finish Available

## Voltage / Voltage

- 120V**

## Light Source / Source lumineuse

- MBL-A15-1** 1 X 4.5W A15 LED

## Project name / Nom du projet

---

---

---

Date

Type

---

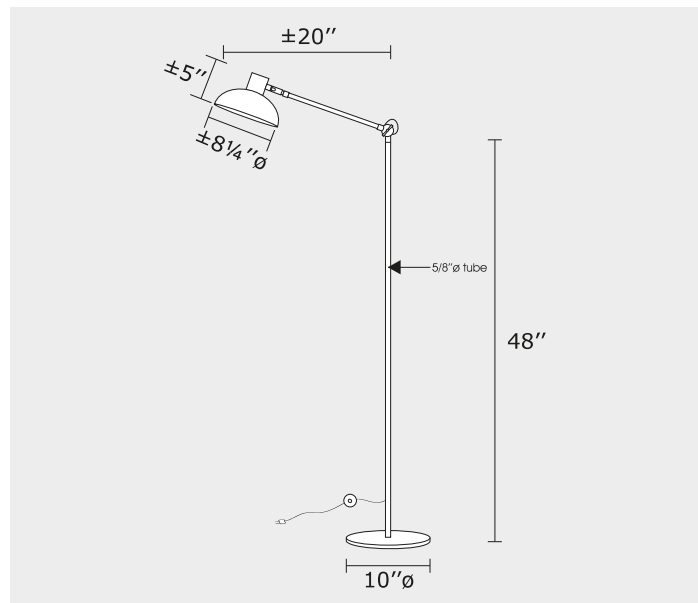
---

Notes

---

---

---



Due to continuous improvement, we reserve the right to change our products specifications.

Dans le but d'une constante amélioration, nous nous réservons le droit de changer les spécifications de nos produits.

