

Specification sheet / Fiche technique
SUSPENSION

BEGO - S

Structure Finish / Fini structure

- | | |
|---|---|
| <input type="checkbox"/> SN Satin Nickel | <input type="checkbox"/> BK Black Semi-Gloss |
| <input type="checkbox"/> SB Satin Brass | <input type="checkbox"/> WH White Semi-Gloss |
| <input type="checkbox"/> CHR Chrome | |
- Other Finish Available*

Suspension Option / Option de suspension

- | | |
|---|--|
| <input type="checkbox"/> ST Stem (Same Color As Structure) | |
| 1 X Aircraft Cable + Round Electrical Wire | 3 X Aircraft Cable + Round Electrical Wire |
| <input type="checkbox"/> CL2WH White | <input type="checkbox"/> CL4WH White |
| <input type="checkbox"/> CL2CLR Clear | <input type="checkbox"/> CL4CLR Clear |
| <input type="checkbox"/> CL2BK Black | <input type="checkbox"/> CL4BK Black |
- Other Wire Color Available
• Sloped Ceiling Adapter Available*

Shade Finish / Fini abat-jour

- | | |
|---|---|
| Exterior color | Interior color |
| <input type="checkbox"/> BK Black Semi-Gloss | <input type="checkbox"/> BK Black Semi-Gloss |
| <input type="checkbox"/> WH White Semi-Gloss | <input type="checkbox"/> WH White Semi-Gloss |
| <input type="checkbox"/> MBK Matte Black | <input type="checkbox"/> MBK Matte Black |
| <input type="checkbox"/> MWH Matte White | <input type="checkbox"/> MWH Matte White |
- Or Other Color:* _____ *Or Other Color:* _____
- Other Finish Available*

Voltage / Voltage

120V **277V**

Dimming Option / Option de gradation

- | | |
|---|--|
| <input type="checkbox"/> 0-10V 0-10V Dimming 120V-277V | |
| <input type="checkbox"/> ND No Dimming | |
- Other Option Available*

Light Source / Source lumineuse

- | | |
|---|--|
| <input type="checkbox"/> MBL-A21-1 1 X 19W A21 LED | |
| <input type="checkbox"/> LED-6.5-I Integral LED ± 6.5W | |
- Other Option Available*

Color Temperature - Lumens
Température de couleur - lumens

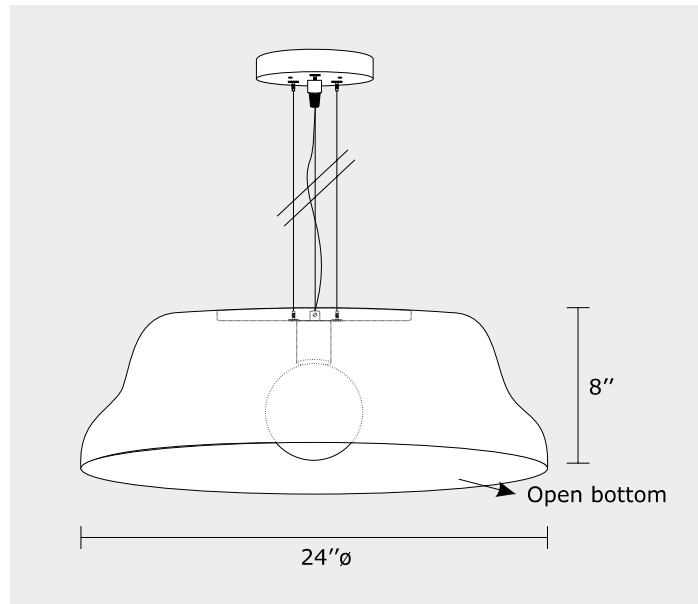
- | |
|--|
| <input type="checkbox"/> 27 2700K 1190 lm |
| <input type="checkbox"/> 30 3000K 1190 lm |
| <input type="checkbox"/> 35 3500K 1190 lm |
| <input type="checkbox"/> 40 4000K 1190 lm |

Project name / Nom du projet

Date

Type

Notes



Due to continuous improvement, we reserve the right to change our products specifications.

Dans le but d'une constante amélioration, nous nous réservons le droit de changer les spécifications de nos produits.

