

Specification sheet / Fiche technique
CEILING

ATSO - C

Structure Finish / Fini structure

- | | |
|---|---|
| <input type="checkbox"/> SN Satin Nickel | <input type="checkbox"/> BK Black Semi-Gloss |
| <input type="checkbox"/> SB Satin Brass | <input type="checkbox"/> WH White Semi-Gloss |
| <input type="checkbox"/> CHR Chrome | |
- Other Finish Available*

Suspension Option / Option de suspension

- | | |
|---|--|
| <input type="checkbox"/> ST Stem (Same Color As Structure) | |
| 3 X Aircraft Cable + Round Electrical Wire | 4 X Aircraft Cable + Round Electrical Wire |
| <input type="checkbox"/> CL4WH White | <input type="checkbox"/> CL5WH White |
| <input type="checkbox"/> CL4CLR Clear | <input type="checkbox"/> CL5CLR Clear |
| <input type="checkbox"/> CL4BK Black | <input type="checkbox"/> CL5BK Black |
- Other Wire Color Available*
• Sloped Ceiling Adapter Available

Shade Finish / Fini abat-jour

- | | |
|--|---|
| <input type="checkbox"/> WHF White Fabric | <input type="checkbox"/> WHWF White Washable Fabric |
| <input type="checkbox"/> BKF Black Fabric | <input type="checkbox"/> OWHWF Off White Washable Fabric |
| <input type="checkbox"/> IVF Ivory Fabric | <input type="checkbox"/> TPWF Taupe Washable Fabric |
| <input type="checkbox"/> BEF Beige Fabric | |
- Other Color Fabric Available*
• Other Washable Color Fabric Available

Voltage / Voltage

- | | |
|--------------------------------------|--------------------------------------|
| <input type="checkbox"/> 120V | <input type="checkbox"/> 277V |
|--------------------------------------|--------------------------------------|

Dimming Option / Option de gradation

- | | |
|---|--|
| <input type="checkbox"/> 0-10V 0-10V Dimming 120V-277V | |
| <input type="checkbox"/> ND No Dimming | |
- Other Option Available*

Light Source / Source lumineuse

- | | |
|---|--|
| <input type="checkbox"/> MBL-A21-3 3 X 19W A21 LED | |
| <input type="checkbox"/> LED-24-I Integral LED 24W | |
- Other Option Available*

Color Temperature - Lumens
Température de couleur - lumens

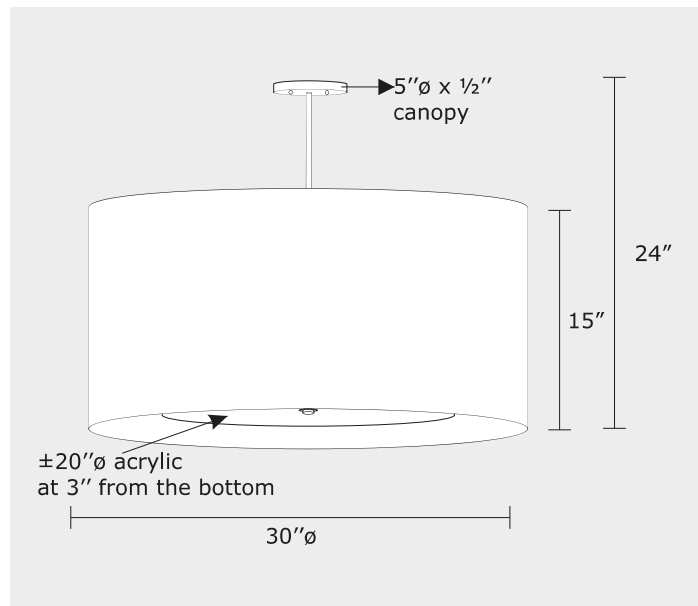
- | | |
|--|--|
| <input type="checkbox"/> 30 3000K 3540 lm | <input type="checkbox"/> 40 4000K 3540 lm |
| <input type="checkbox"/> 35 3500K 3540 lm | <input type="checkbox"/> 50 5000K 3540 lm |

Project name / Nom du projet

Date

Type

Notes



Due to continuous improvement, we reserve the right to change our products specifications.

Dans le but d'une constante amélioration, nous nous réservons le droit de changer les spécifications de nos produits.

