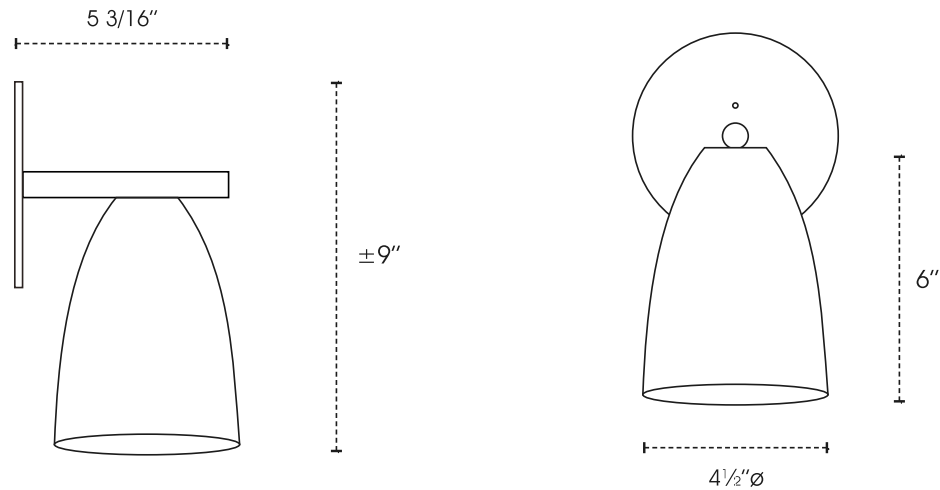


PROJECT NAME / NOM DU PROJET

Date

Type

Notes



Voltage / Voltage

**120V**

Light Source / Source lumineuse

**MBL-PAR20-1** 1 X 11W PAR20 LED • Other Option Available

Structure Finish / Fini structure

<b>SN</b> Satin Nickel	<b>SB</b> Satin Brass	<b>CHR</b> Chrome
<b>BK</b> Black Semi-Gloss	<b>WH</b> White Semi-Gloss	• Other Finish Available

Shade Finish / Fini abat-jour

<b>MG</b> Metallic Grey Powder Coated	<b>BK</b> Black Semi-Gloss Powder Coated
<b>MBK</b> Matte Black Powder Coated	<b>WH</b> White Semi-Gloss Powder Coated
<b>MWH</b> Matte White Powder Coated	<b>SN</b> Satin Nickel
<b>SB</b> Satin Brass	• Other Finish Available

Due to continuous improvement, we reserve the right to change our products specifications.  
 Dans le but d'une constante amélioration, nous nous réservons le droit de changer les spécifications de nos produits.

