

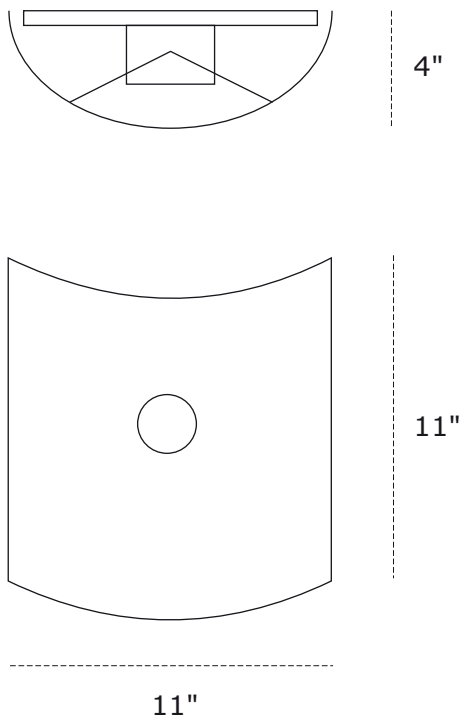
Tazia

PROJECT NAME / NOM DU PROJET

Date

Type

Notes



Voltage / Voltage

120V

Structure finish / Fini structure

Satin nickel	<input type="checkbox"/>	Brushed brass	<input type="checkbox"/>
Chrome	<input type="checkbox"/>	White	<input type="checkbox"/>
Brass	<input type="checkbox"/>	Black	<input type="checkbox"/>




** Other finishes available on request*

Shade finish / Fini d'abat-jour

Metallic grey powder coated	<input type="checkbox"/>	Nickel finish	<input type="checkbox"/>
Black powder coated	<input type="checkbox"/>	Chrome finish	<input type="checkbox"/>
White powder coated	<input type="checkbox"/>		

** Other plating finishes & colors of powder coated paint available*

Light source / Source lumineuse

1 x BULB A19 Med	60W		<input type="checkbox"/>	1 x BULB GU24 Base	13W		<input type="checkbox"/>
1 x BULB Fluo Comp	13W		<input type="checkbox"/>	LED			<input type="checkbox"/>

** Other light source / wattage available on request*

All standard and custom-made product were tested and approved according to the code of normalizations (standardizations). A label affixed on the product gives evidence of it.

Tous produits standards et sur mesure ont été testés et approuvés selon le code de normalisations. Une étiquette apposée sur le produit en atteste.