

Specification sheet / Fiche technique
SUSPENSION

TUXY 20 - S

Structure Finish / Fini structure

SN	Satin Nickel
SB	Satin Brass
CHR	Chrome
BK	Black Semi-Gloss
WH	White Semi-Gloss

• Other Finish Available

Suspension Option / Option de suspension

2 X Aircraft Cable + Round Electrical Wire

CL3WH	White	CL3CLR	Clear
CL3BK	Black		

• Other Wire Color Available

Shade Finish / Fini abat-jour

MG	Metallic Grey Powder Coated
BK	Black Semi-Gloss Powder Coated
MBK	Matte Black Powder Coated
WH	White Semi-Gloss Powder Coated
MWH	Matte White Powder Coated
NP	Nickel Plated
CHR	Chrome Plated

• Other Finish Available

Voltage / Voltage

120V	277V
-------------	-------------

Dimming Option / Option de gradation

0-10V	0-10V Dimming 120V-277V
ND	No Dimming

• Other Option Available

Light Source / Source lumineuse

LED-4-I	Integral LED $\pm 4W$
----------------	-----------------------

• Other Option Available

Color Temperature - Lumens

Température de couleur - lumens

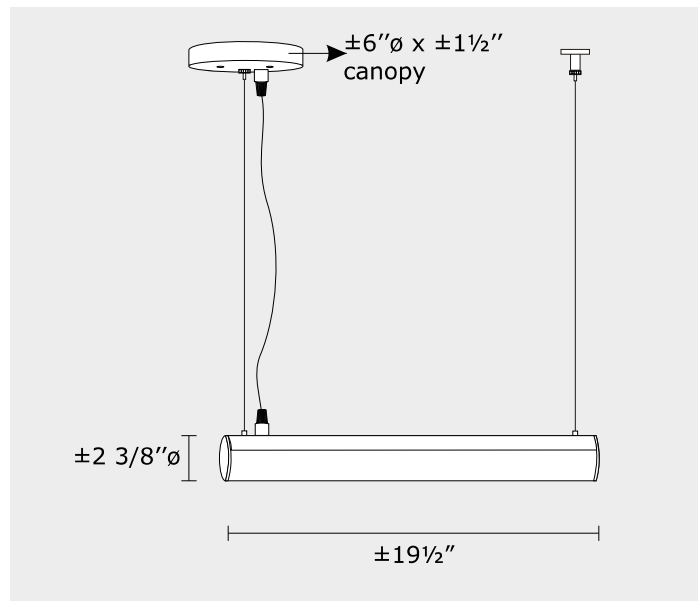
27	2700K	346 lm
30	3000K	346 lm
35	3500K	346 lm
41	4100K	359 lm
50	5000K	352 lm

Project name / Nom du projet

Date

Type

Notes



Due to continuous improvement, we reserve the right to change our products specifications.

Dans le but d'une constante amélioration, nous nous réservons le droit de changer les spécifications de nos produits.

