

**Specification sheet / Fiche technique**  
**SUSPENSION**

# SWELL - S

**Structure Finish / Fini structure**

<b>SN</b>	Satin Nickel	<b>BK</b>	Black Semi-Gloss
<b>SB</b>	Satin Brass	<b>WH</b>	White Semi-Gloss
<b>CHR</b>	Chrome		• <i>Other Finish Available</i>

**Suspension Option / Option de suspension**

<b>ST</b>	Stem (Same Color As Structure)		
	1 X Aircraft Cable + Round Electrical Wire	3 X Aircraft Cable + Round Electrical Wire	
<b>CL2WH</b>	White	<b>CL4WH</b>	White
<b>CL2CLR</b>	Clear	<b>CL4CLR</b>	Clear
<b>CL2BK</b>	Black	<b>CL4BK</b>	Black
			• <i>Other Wire Color Available</i> • <i>Sloped Ceiling Adapter Available</i>

**Shade Finish / Fini abat-jour**

<b>MG</b>	Metallic Grey Powder Coated		
<b>GDPC</b>	Gold Powder Coated		
<b>BK</b>	Black Semi-Gloss Powder Coated		
<b>MBK</b>	Matte Black Powder Coated		
<b>WH</b>	White Semi-Gloss Powder Coated		
<b>MWH</b>	Matte White Powder Coated		• <i>Other Finish Available</i>

**Globe Specification / Spécification du globe**

Glass		Acrylic	
<b>GWH</b>	White	<b>AWH</b>	White
<b>GCLR</b>	Clear	<b>ACLR</b>	Clear

**Globe Diameter / Diamètre du globe**

<b>8</b>	8" Ø	<b>16</b>	16" Ø
<b>12</b>	12" Ø		• <i>Other Diameter Available</i>

**Voltage / Voltage**

**120V**

**Light Source / Source lumineuse**

<b>MBL-A21-1</b>	1 X 19W A21 LED	
		• <i>Other Option Available</i>

**Project name / Nom du projet**

---



---



---

**Date**

**Type**

---

**Notes**

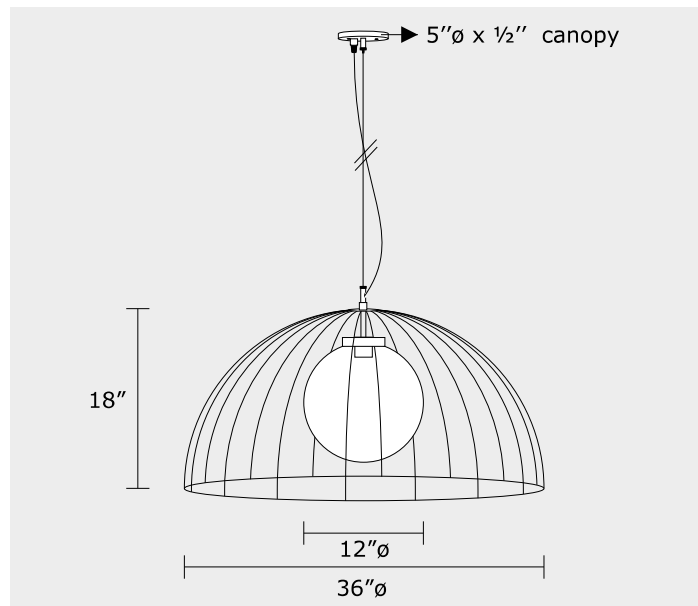
---



---



---



Due to continuous improvement, we reserve the right to change our products specifications.

Dans le but d'une constante amélioration, nous nous réservons le droit de changer les spécifications de nos produits.

