

SOLEX 24

PROJECT NAME / NOM DU PROJET

Date

Type

Notes



Voltage / Voltage

120V	277V	347V
-------------	-------------	-------------

Dimming Option / Option de gradation

0-10V	0-10V Dimming 120V-277V
ND	No Dimming • <i>Other Option Available</i>

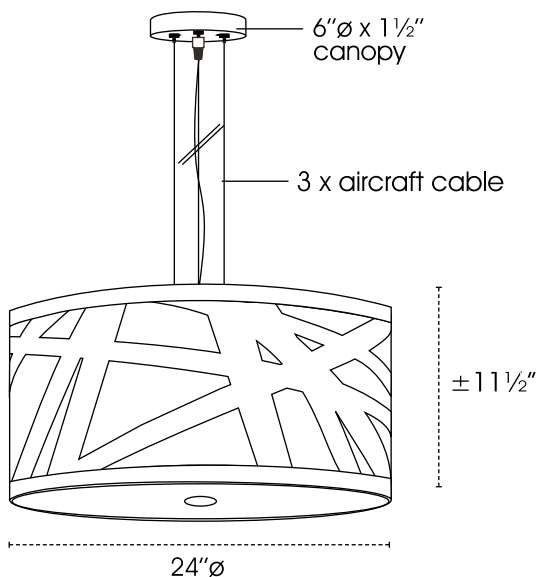
Light Source / Source lumineuse

MBL-A21-1	1 X 19W A21 LED
CF32-1	1 X 32W CF G24 Q-2 Base
GU32-1	1 X 32W GU24 Base
LED-7.4-I	Integral LED Module 7.4W
<i>• Other Option Available</i>	

Color Temperature - Lumens

Température de couleur - lumens

27	2700K	910 lm
30	3000K	1160 lm
35	3500K	1190 lm
40	4000K	1200 lm



Structure Finish / Fini structure

SN Satin Nickel	SB Satin Brass	CHR Chrome
BK Black Semi-Gloss	WH White Semi-Gloss	<i>• Other Finish Available</i>

Suspension Option / Option de suspension

ST Stem (Same Color As Structure)			
3 X Aircraft Cable + Round Electrical Wire	CL4WH White	CL4CLR Clear	CL4BK Black
4 X Aircraft Cable + Round Electrical Wire	CL5WH White	CL5CLR Clear	CL5BK Black
<i>• Other Wire Color Available</i> <i>• Sloped Ceiling Adapter Available</i>			

Shade Finish / Fini abat-jour

MG Metallic Grey Powder Coated	BK Black Semi-Gloss Powder Coated
MBK Matte Black Powder Coated	WH White Semi-Gloss Powder Coated
MWH Matte White Powder Coated	NP Nickel Plated
CHR Chrome Plated	<i>• Other Finish Available</i>

Shade Finish / Fini abat-jour

OWHWF Off White Washable Fabric	WHWF White Washable Fabric	TPWF Taupe Washable Fabric
WHF White Fabric	BKF Black Fabric	IVF Ivory Fabric
BEF Beige Fabric	<i>• Other Washable Color Fabric Available</i> • <i>Other Color Fabric Available</i>	

Due to continuous improvement, we reserve the right to change our products specifications.

Dans le but d'une constante amélioration, nous nous réservons le droit de changer les spécifications de nos produits.

