

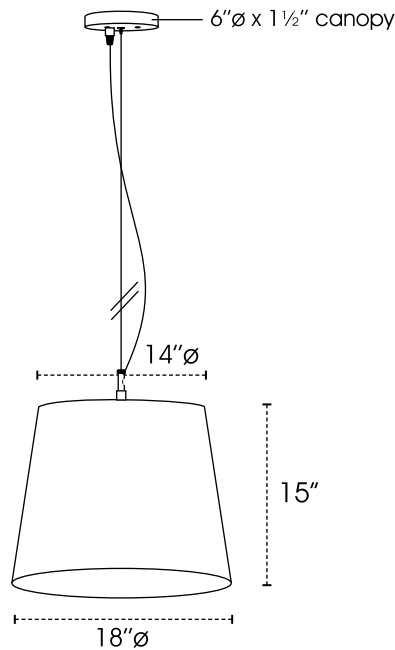
# ROOV

PROJECT NAME / NOM DU PROJET

Date

Type

Notes



Voltage / Voltage

|             |             |             |
|-------------|-------------|-------------|
| <b>120V</b> | <b>277V</b> | <b>347V</b> |
|-------------|-------------|-------------|

Dimming Option / Option de gradation

|              |  |
|--------------|--|
| <b>0-10V</b> | 0-10V Dimming 120V-277V                    |
| <b>ND</b>    | No Dimming • <i>Other Option Available</i> |

Light Source / Source lumineuse

|                    |   |
|--------------------|---|
| <b>MBL-A21-1</b>   | 1 X 19W A21 LED   |
| <b>MBL-PAR20-1</b> | 1 X 11W PAR20 LED   |
| <b>MBL-PAR30-1</b> | 1 X 18.5W PAR30 LED                                       |
| <b>LED-8-I</b>     | Integral LED Module 8W<br>• <i>Other Option Available</i> |

Color Temperature - Lumens

|           |       |         |
|-----------|-------|---------|
| <b>27</b> | 2700K | 1140 lm |
| <b>30</b> | 3000K | 1180 lm |
| <b>35</b> | 3500K | 1200 lm |
| <b>40</b> | 4000K | 1280 lm |

Structure Finish / Fini structure

|                            |                            |                                 |
|----------------------------|----------------------------|---------------------------------|
| <b>SN</b> Satin Nickel     | <b>SB</b> Satin Brass      | <b>CHR</b> Chrome               |
| <b>BK</b> Black Semi-Gloss | <b>WH</b> White Semi-Gloss | • <i>Other Finish Available</i> |

Suspension Option / Option de suspension

|  |                    |                     |  |
|--|--------------------|---------------------|--|
| <b>ST</b> Stem (Same Color As Structure)   |                    |                     |  |
| Round Electrical Wire Only                 | <b>CL1WH</b> White | <b>CL1CLR</b> Clear | <b>CL1BK</b> Black   |
| 1 X Aircraft Cable + Round Electrical Wire | <b>CL2WH</b> White | <b>CL2CLR</b> Clear | <b>CL2BK</b> Black   |
|  |                    |                     | • <i>Other Wire Color Available</i><br>• <i>Sloped Ceiling Adapter Available</i> |

Shade Finish / Fini abat-jour

|                             |                        |                             |                        |
|-----------------------------|------------------------|-----------------------------|------------------------|
| Exterior Color              |                        | Interior Color              |                        |
| <b>BK</b> Black Semi-Gloss  | <b>MBK</b> Matte Black | <b>BK</b> Black Semi-Gloss  | <b>MBK</b> Matte Black |
| <b>WH</b> White Semi-Gloss  | <b>MWH</b> Matte White | <b>WH</b> White Semi-Gloss  | <b>MWH</b> Matte White |
| <hr/> <i>Or Other Color</i> |                        | <hr/> <i>Or Other Color</i> |                        |

Due to continuous improvement, we reserve the right to change our products specifications.

Dans le but d'une constante amélioration, nous nous réservons le droit de changer les spécifications de nos produits.

