

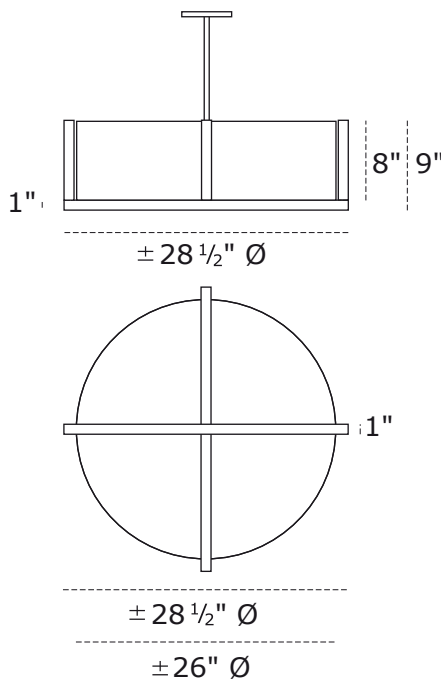
OrlyPLUS

PROJECT NAME / NOM DU PROJET

Date

Type

Notes



Voltage / Voltage

- 120V
- 277V
- 347V

* Dimmable ballast available

Structure finish / Fini structure

- | | |
|---------------------------------------|----------------------------------------|
| Satin nickel <input type="checkbox"/> | Brushed brass <input type="checkbox"/> |
| Chrome <input type="checkbox"/> | White <input type="checkbox"/> |
| Brass <input type="checkbox"/> | Black <input type="checkbox"/> |

* Other finishes available on request

Suspension option / Option de suspension

- | | |
|-------------------------------------------------------|-------------------------------------------|
| Satin nickel stem <input type="checkbox"/> | White stem <input type="checkbox"/> |
| Chrome stem <input type="checkbox"/> | Brass stem <input type="checkbox"/> |
| Black stem <input type="checkbox"/> | Satin brass stem <input type="checkbox"/> |
| Aircraft cable + clear cable <input type="checkbox"/> | |
| Aircraft cable + black cable <input type="checkbox"/> | |
| Aircraft cable + white cable <input type="checkbox"/> | |

* Other finishes available

** Sloped ceiling adapter available

Shade finish / Fini d'abat-jour

- | | |
|---------------------------------------|----------------------------------------|
| White fabric <input type="checkbox"/> | Beige fabric <input type="checkbox"/> |
| Black fabric <input type="checkbox"/> | Polycarbonate <input type="checkbox"/> |
| Ivory fabric <input type="checkbox"/> | |

* Other colors and textures available

Shade finish / Fini d'abat-jour

- | | |
|------------------------------------------------------|----------------------------------------|
| Metallic grey powder coated <input type="checkbox"/> | Nickel finish <input type="checkbox"/> |
| Black powder coated <input type="checkbox"/> | Chrome finish <input type="checkbox"/> |
| White powder coated <input type="checkbox"/> | Steel <input type="checkbox"/> |

* Other plating finishes & colors of powder coated paint available

Diffuseur / Diffuseur

- | | |
|----------------------------------------|--------------------------------------|
| White acrylic <input type="checkbox"/> | Red acrylic <input type="checkbox"/> |
|----------------------------------------|--------------------------------------|

* Other colors available

Light source / Source lumineuse

- | | | | |
|----------------------|-----|-------------------------------------------------------------------------------------|--------------------------|
| 4 x BULB A19 Med | 60W |  | <input type="checkbox"/> |
| 4 x BULB Fluo Comp | 23W |  | <input type="checkbox"/> |
| 4 x BULB GU24 Base | 26W |  | <input type="checkbox"/> |
| 4 x BULB G24 Q2 Base | 26W |  | <input type="checkbox"/> |
| LED | | | <input type="checkbox"/> |

* Other light source / wattage available on request

All standard and custom-made product were tested and approved according to the code of normalizations (standardizations). A label affixed on the product gives evidence of it.

Tous produits standards et sur mesure ont été testés et approuvés selon le code de normalisations. Une étiquette apposée sur le produit en atteste.