

Specification sheet / Fiche technique
WALL

ORA - W

Structure Finish / Fini structure

- MG** Metallic Grey Powder Coated
- GDPC** Gold Powder Coated
- BK** Black Semi-Gloss Powder Coated
- MBK** Matte Black Powder Coated
- WH** White Semi-Gloss Powder Coated
- MWH** Matte White Powder Coated

• Other Finish Available

Voltage / Voltage

- 120V**
- 277V**

Light Source / Source lumineuse

- LED-10-I** Integral LED ±10W

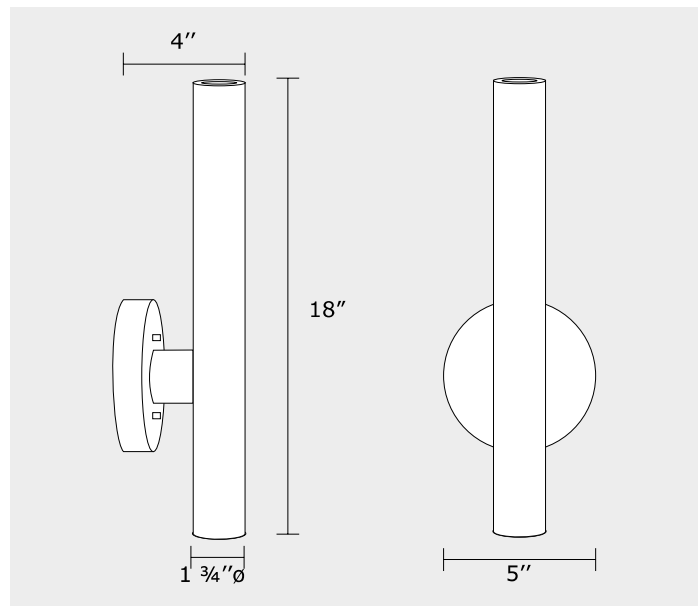
• Other Option Available

Project name / Nom du projet

Date

Type

Notes



Due to continuous improvement, we reserve the right to change our products specifications.

Dans le but d'une constante amélioration, nous nous réservons le droit de changer les spécifications de nos produits.

