

### Structure Finish / Fini structure

- |   |   |
|---|---|
| <input type="checkbox"/> <b>SN</b> Satin Nickel | <input type="checkbox"/> <b>WH</b> White Semi-Gloss |
| <input type="checkbox"/> <b>CHR</b> Chrome      | <input type="checkbox"/> <b>BK</b> Black Semi-Gloss |
| <input type="checkbox"/> <b>SB</b> Satin Brass  | <i>• Other Finish Available</i>                     |

### Suspension Option / Option de suspension

- |   |   |
|---|---|
| <input type="checkbox"/> <b>ST</b> Stem (Same Color As Structure) | 1 X Aircraft Cable<br>+ Round Electrical Wire |
| Round Electrical Wire Only  |   |
| <input type="checkbox"/> <b>CL1WH</b> White                       | <input type="checkbox"/> <b>CL2WH</b> White   |
| <input type="checkbox"/> <b>CL1CLR</b> Clear                      | <input type="checkbox"/> <b>CL2CLR</b> Clear  |
| <input type="checkbox"/> <b>CL1BK</b> Black                       | <input type="checkbox"/> <b>CL2BK</b> Black   |
- Other Wire Color Available*      *• Sloped Ceiling Adapter Available*

### Shade Finish / Fini abat-jour

- | Exterior Color                                      | Interior Color                                      |
|---|---|
| <input type="checkbox"/> <b>BK</b> Black Semi-Gloss | <input type="checkbox"/> <b>BK</b> Black Semi-Gloss |
| <input type="checkbox"/> <b>WH</b> White Semi-Gloss | <input type="checkbox"/> <b>WH</b> White Semi-Gloss |
| <input type="checkbox"/> <b>MBK</b> Matte Black     | <input type="checkbox"/> <b>MBK</b> Matte Black     |
| <input type="checkbox"/> <b>MWH</b> Matte White     | <input type="checkbox"/> <b>MWH</b> Matte White     |
- Or Other Color : \_\_\_\_\_      Or Other Color : \_\_\_\_\_

### Voltage / Voltage

- 120V**       **277V**

### Dimming Option / Option de gradation

- 0-10V** 0-10V Dimming 120V-277V
- ND** No Dimming      *• Other Option Available*

### Light Source / Source lumineuse

- MBL-A21-1** 1 X 19W A21 LED
- MBL-PAR20-1** 1 X 11W PAR20 LED
- MBL-PAR30-1** 1 X 18.5W PAR30 LED
- LED-6.5-I** Integral LED ± 6.5W      *• Other Option Available*

### Color Temperature - Lumens

#### Température de couleur - lumens

- |  |  |
|--|--|
| <input type="checkbox"/> <b>30</b> 3000K 1180 lm | <input type="checkbox"/> <b>40</b> 4000K 1180 lm |
| <input type="checkbox"/> <b>35</b> 3500K 1180 lm | <input type="checkbox"/> <b>50</b> 5000K 1180 lm |

### Project Name / Nom du projet

---



---

Date

Type

---



---

### Notes

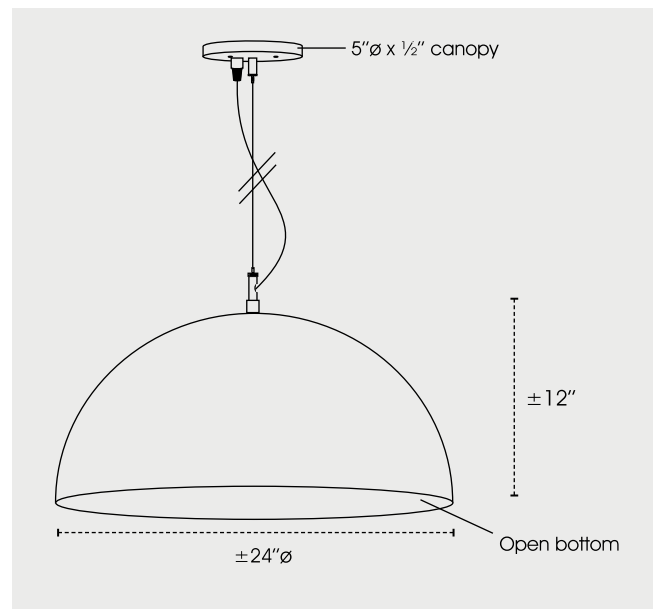
---



---



---



Due to continuous improvement, we reserve the right to change our products specifications.

Dans le but d'une constante amélioration, nous nous réservons le droit de changer les spécifications de nos produits.