

Structure Finish / Fini structure

- | | |
|---|---|
| <input type="checkbox"/> SN Satin Nickel | <input type="checkbox"/> WH White Semi-Gloss |
| <input type="checkbox"/> CHR Chrome | <input type="checkbox"/> BK Black Semi-Gloss |
| <input type="checkbox"/> SB Satin Brass | <i>• Other Finish Available</i> |

Suspension Option / Option de suspension

- | | |
|---|---|
| <input type="checkbox"/> ST Stem (Same Color As Structure) | 1 X Aircraft Cable
+ Round Electrical Wire |
| <input type="checkbox"/> CL1WH White | <input type="checkbox"/> CL2WH White |
| <input type="checkbox"/> CL1CLR Clear | <input type="checkbox"/> CL2CLR Clear |
| <input type="checkbox"/> CL1BK Black | <input type="checkbox"/> CL2BK Black |

• Other Wire Color Available

• Sloped Ceiling Adapter Available

Shade Finish / Fini abat-jour

- | Exterior Color | Interior Color |
|---|---|
| <input type="checkbox"/> BK Black Semi-Gloss | <input type="checkbox"/> BK Black Semi-Gloss |
| <input type="checkbox"/> WH White Semi-Gloss | <input type="checkbox"/> WH White Semi-Gloss |
| <input type="checkbox"/> MBK Matte Black | <input type="checkbox"/> MBK Matte Black |
| <input type="checkbox"/> MWH Matte White | <input type="checkbox"/> MWH Matte White |

Or Other Color : _____

Or Other Color : _____

Voltage / Voltage

- 120V** **277V**

Dimming Option / Option de gradation

- 0-10V** 0-10V Dimming 120V-277V
- ND** No Dimming *• Other Option Available*

Light Source / Source lumineuse

- MBL-A21-1** 1 X 19W A21 LED
- MBL-PAR20-1** 1 X 11W PAR20 LED
- MBL-PAR30-1** 1 X 18.5W PAR30 LED
- LED-6.5-I** Integral LED ± 6.5W *• Other Option Available*

Color Temperature - Lumens

Température de couleur - lumens

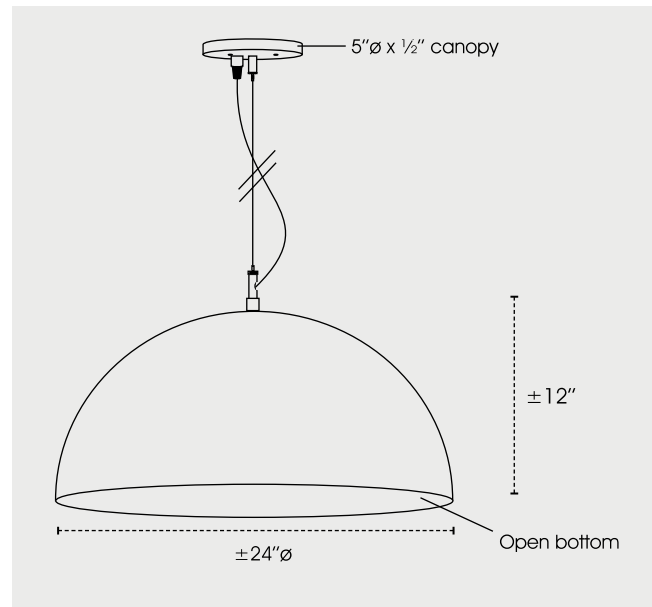
- | | |
|--|--|
| <input type="checkbox"/> 30 3000K 1180 lm | <input type="checkbox"/> 40 4000K 1180 lm |
| <input type="checkbox"/> 35 3500K 1180 lm | <input type="checkbox"/> 50 5000K 1180 lm |

Project Name / Nom du projet

Date

Type

Notes



Due to continuous improvement, we reserve the right to change our products specifications.

Dans le but d'une constante amélioration, nous nous réservons le droit de changer les spécifications de nos produits.