

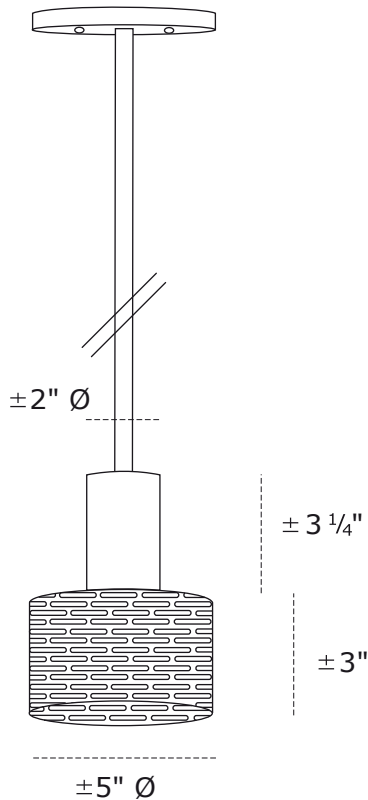
Miss

PROJECT NAME / NOM DU PROJET

Date

Type

Notes



Voltage / Voltage

120V

Structure finish / Fini structure

Satin nickel	<input type="checkbox"/>	Brushed brass	<input type="checkbox"/>
Chrome	<input type="checkbox"/>	White	<input type="checkbox"/>
Brass	<input type="checkbox"/>	Black	<input type="checkbox"/>

* Other finishes available on request

Suspension option / Option de suspension

Satin nickel stem	<input type="checkbox"/>	White stem	<input type="checkbox"/>
Chrome stem	<input type="checkbox"/>	Brass stem	<input type="checkbox"/>
Black stem	<input type="checkbox"/>	Satin brass stem	<input type="checkbox"/>

* Other finishes available


** Sloped ceiling adapter available

Shade finish / Fini d'abat-jour

Metallic grey powder coated	<input type="checkbox"/>
Black powder coated	<input type="checkbox"/>
White powder coated	<input type="checkbox"/>

* Other colors of powder coated paint available

Light source / Source lumineuse

1 x BULB G16.5 Cand 60W  LED

* Other light source / wattage available on request

All standard and custom-made product were tested and approved according to the code of normalizations (standardizations). A label affixed on the product gives evidence of it.

Tous produits standards et sur mesure ont été testés et approuvés selon le code de normalisations. Une étiquette apposée sur le produit en atteste.