

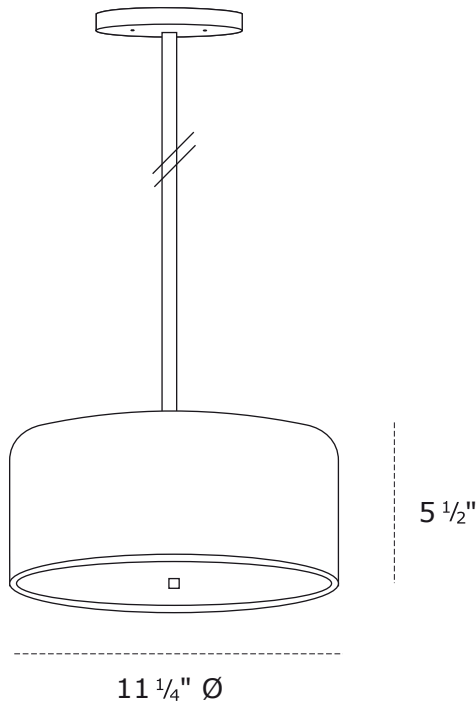
MirkoPLUS

PROJECT NAME / NOM DU PROJET

Date

Type

Notes



Voltage / Voltage

120V 277V 347V

* Dimmable ballast available

Structure finish / Fini structure

Satin nickel Brushed brass
 Chrome White
 Brass Black

* Other finishes available on request

Suspension option / Option de suspension

Clear cable Satin nickel stem White stem
 Black cable Chrome stem Brass stem
 White cable Black stem Satin brass stem
 Aircraft cable + clear cable
 Aircraft cable + black cable
 Aircraft cable + white cable

* Other finishes available

** Sloped ceiling adapter available

Shade finish / Fini d'abat-jour

Aluminium finish Anodiz red color
 Anodiz natural color Anodiz blue color
 White powder coated Black powder coated
 Metallic grey powder coated




* Other colors of anodiz or powder coated paint available

Diffuseur / Diffuseur

White acrylic Red acrylic

* Other colors available

Light source / Source lumineuse

2 x BULB G16.5 Med	60W		<input type="checkbox"/>
2 x BULB GU24 Base	13W		<input type="checkbox"/>
2 x BULB G24 Q2 Base	13W		<input type="checkbox"/>
LED			<input type="checkbox"/>

* Other light source / wattage available on request

All standard and custom-made product were tested and approved according to the code of normalizations (standardizations). A label affixed on the product gives evidence of it.

Tous produits standards et sur mesure ont été testés et approuvés selon le code de normalisations. Une étiquette apposée sur le produit en atteste.