

Marila

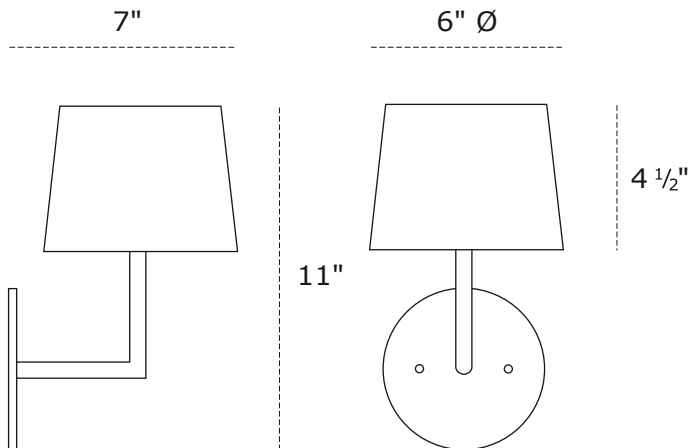
07

PROJECT NAME / NOM DU PROJET

Date

Type

Notes



Voltage / Voltage

120V

Structure finish / Fini structure

- | | | | |
|--------------|--------------------------|---------------|--------------------------|
| Satin nickel | <input type="checkbox"/> | Brushed brass | <input type="checkbox"/> |
| Chrome | <input type="checkbox"/> | White | <input type="checkbox"/> |
| Brass | <input type="checkbox"/> | Black | <input type="checkbox"/> |

** Other finishes available on request*

Shade finish / Fini d'abat-jour

- | | | | |
|--------------|--------------------------|---------------|--------------------------|
| White fabric | <input type="checkbox"/> | Beige fabric | <input type="checkbox"/> |
| Black fabric | <input type="checkbox"/> | Polycarbonate | <input type="checkbox"/> |
| Ivory fabric | <input type="checkbox"/> | | |

** Other colors and textures available*

Light source / Source lumineuse

1 x BULB G16.5 Cand

60W



LED



** Other light source / wattage available on request*

All standard and custom-made product were tested and approved according to the code of normalizations (standardizations). A label affixed on the product gives evidence of it.

Tous produits standards et sur mesure ont été testés et approuvés selon le code de normalisations. Une étiquette apposée sur le produit en atteste.