

# MATIX PLUS PG1

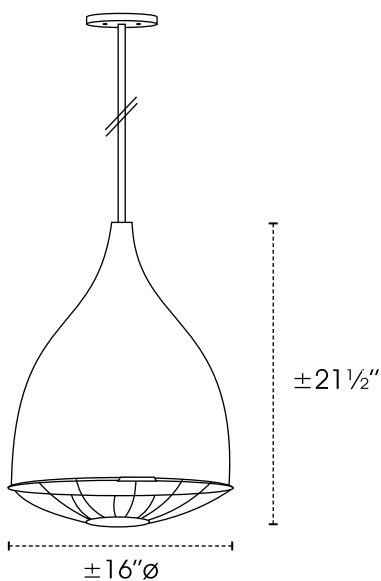


PROJECT NAME / NOM DU PROJET

Date

Type

Notes



Voltage / Voltage

**120V**

Light Source / Source lumineuse

<b>MBL-A21-1</b>	1 X 19W A21 LED
<b>MBL-PAR20-1</b>	1 X 11W PAR20 LED
<b>MBL-PAR30-1</b>	1 X 18.5W PAR30 LED
<b>MBL-PAR38-1</b>	1 X 18.5W PAR38 LED
<b>MBL-BR30-1</b>	1 X 11.5W BR30 LED
<b>MBL-G40-1</b>	1 X 6.4W G40 LED

*• Other Option Available*

Structure Finish / Fini structure

<b>SN</b> Satin Nickel	<b>SB</b> Satin Brass	<b>CHR</b> Chrome
<b>BK</b> Black Semi-Gloss	<b>WH</b> White Semi-Gloss	<i>• Other Finish Available</i>

Suspension Option / Option de suspension

<b>ST</b> Stem (Same Color As Structure)			
Round Electrical Wire Only	<b>CL1WH</b> White	<b>CL1CLR</b> Clear	<b>CL1BK</b> Black
1 X Aircraft Cable + Round Electrical Wire	<b>CL2WH</b> White	<b>CL2CLR</b> Clear	<b>CL2BK</b> Black

*• Other Wire Color Available  
• Sloped Ceiling Adapter Available*

Shade Finish / Fini abat-jour

<b>MG</b> Metallic Grey Powder Coated	<b>GDPC</b> Gold Powder Coated
<b>BK</b> Black Semi-Gloss Powder Coated	<b>MBK</b> Matte Black Powder Coated
<b>WH</b> White Semi-Gloss Powder Coated	<b>MWH</b> Matte White Powder Coated

*• Other Finish Available*

**Due to continuous improvement, we reserve the right to change our products specifications.**

Dans le but d'une constante amélioration, nous nous réservons le droit de changer les spécifications de nos produits.

