

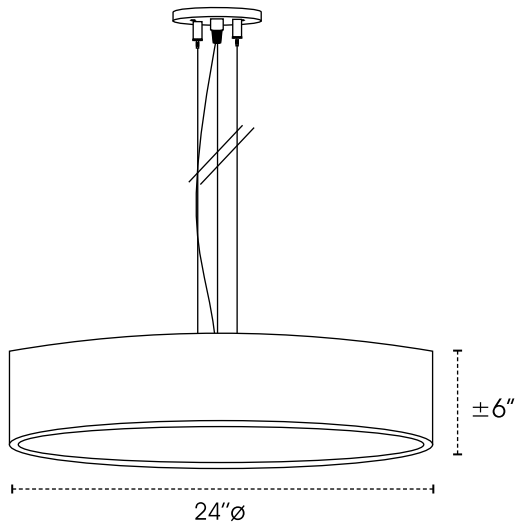
MALIBU

PROJECT NAME / NOM DU PROJET

Date

Type

Notes



Voltage / Voltage

120V	277V	347V
-------------	-------------	-------------

Dimming Option / Option de gradation

0-10V	0-10V Dimming 120V-277V
ND	No Dimming • <i>Other Option Available</i>

Light Source / Source lumineuse

<input type="checkbox"/>	MBL-A21-4	4 X 19W A21 LED
	CF32-4	4 X 32W CF G24 Q-2 Base
	GU32-4	4 X 32W GU24 Base
	LED-7.4-I	Integral LED Module 7.4W
		• <i>Other Option Available</i>

Color Temperature - Lumens / Température de couleur - lumens

27	2700K	910 lm	30	3000K	1160 lm
35	3500K	1190 lm	40	4000K	1200 lm

Structure Finish / Fini structure

SN Satin Nickel	SB Satin Brass	CHR Chrome
BK Black Semi-Gloss	WH White Semi-Gloss	• <i>Other Finish Available</i>

Suspension Option / Option de suspension

ST Stem (Same Color As Structure)			
1 X Aircraft Cable + Round Electrical Wire	CL2WH White	CL2CLR Clear	CL2BK Black
3 X Aircraft Cable + Round Electrical Wire	CL4WH White	CL4CLR Clear	CL4BK Black
			• <i>Other Wire Color Available</i> • <i>Sloped Ceiling Adapter Available</i>

Shade Finish / Fini abat-jour

MG Metallic Grey Powder Coated	GDPC Gold Powder Coated
BK Black Semi-Gloss Powder Coated	MBK Matte Black Powder Coated
WH White Semi-Gloss Powder Coated	MWH Matte White Powder Coated
	• <i>Other Finish Available</i>

Due to continuous improvement, we reserve the right to change our products specifications.

Dans le but d'une constante amélioration, nous nous réservons le droit de changer les spécifications de nos produits.

