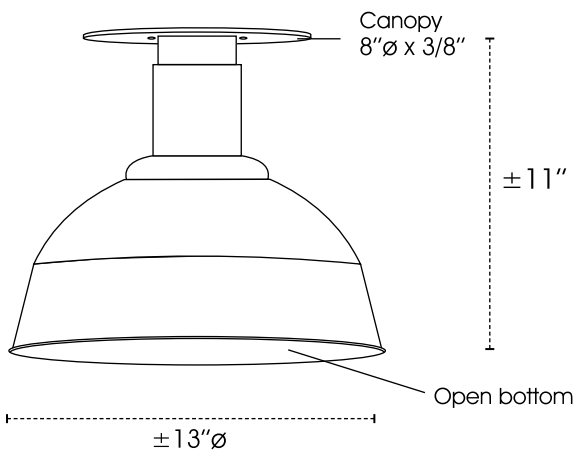


PROJECT NAME / NOM DU PROJET

Date

Type

Notes



Voltage / Voltage

<b>120V</b>	<b>277V</b>	<b>347V</b>
-------------	-------------	-------------

Dimming Option / Option de gradation

<b>0-10V</b>	0-10V Dimming 120V-277V
<b>ND</b>	No Dimming • <i>Other Option Available</i>

Light Source / Source lumineuse

<b>MBL-A21-1</b>	1 X 19W A21 LED
<b>MBL-PAR20-1</b>	1 X 11W PAR20 LED
<b>MBL-PAR30-1</b>	1 X 18.5W PAR30 LED
<b>LED-8-I</b>	Integral LED Module 8W • <i>Other Option Available</i>

Color Temperature - Lumens / Température de couleur - lumens

<b>27</b> 2700K 1140 lm	<b>30</b> 3000K 1180 lm	
<b>35</b> 3500K 1200 lm	<b>40</b> 4000K 1280 lm	

Structure Finish / Fini structure

<b>SN</b> Satin Nickel	<b>SB</b> Satin Brass	<b>CHR</b> Chrome
<b>BK</b> Black Semi-Gloss	<b>WH</b> White Semi-Gloss	• <i>Other Finish Available</i>

Shade Finish / Fini abat-jour

<b>MG</b> Metallic Grey Powder Coated	<b>MBK</b> Matte Black Powder Coated	
<b>GDPC</b> Gold Powder Coated	<b>WH</b> White Semi-Gloss Powder Coated	
<b>BK</b> Black Semi-Gloss Powder Coated	<b>MWH</b> Matte White Powder Coated	• <i>Other Finish Available</i>

Due to continuous improvement, we reserve the right to change our products specifications.

Dans le but d'une constante amélioration, nous nous réservons le droit de changer les spécifications de nos produits.