

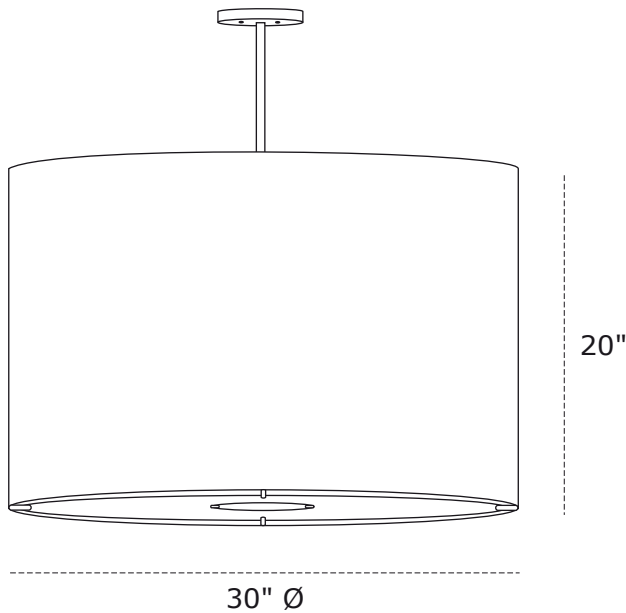
Folio

PROJECT NAME / NOM DU PROJET

Date

Type

Notes



Voltage / Voltage

120V 277V 347V

* Dimmable ballast available

Structure finish / Fini structure

Satin nickel Brushed brass
 Chrome White
 Brass Black

* Other finishes available on request






Suspension option / Option de suspension

Clear cable + 3 Aircraft White cable + 3 Aircraft
 Black cable + 3 Aircraft White stem
 Satin nickel stem Brass stem
 Chrome stem Satin brass stem
 Black stem

* Other finishes available

** Sloped ceiling adapter available

Light source / Source lumineuse

- | | | | |
|----------------------|-----|---|--------------------------|
| 4 x BULB A19 Med | 75W |  | <input type="checkbox"/> |
| 4 x BULB Fluo Comp | 23W |  | <input type="checkbox"/> |
| 1 x BULB PAR20 Med | 50W |  | <input type="checkbox"/> |
| 4 x BULB GU24 Base | 26W |  | <input type="checkbox"/> |
| 4 x BULB G24 Q2 Base | 26W |  | <input type="checkbox"/> |
| LED | | | <input type="checkbox"/> |

* Other light source / wattage available on request

Shade finish / Fini d'abat-jour

White fabric Beige fabric
 Black fabric Polycarbonate
 Ivory fabric Acrylic

* Other colors and textures available

Diffuseur / Diffuseur

White acrylic Red acrylic

* Other colors available

All standard and custom-made product were tested and approved according to the code of normalizations (standardizations). A label affixed on the product gives evidence of it.

Tous produits standards et sur mesure ont été testés et approuvés selon le code de normalisations. Une étiquette apposée sur le produit en atteste.