

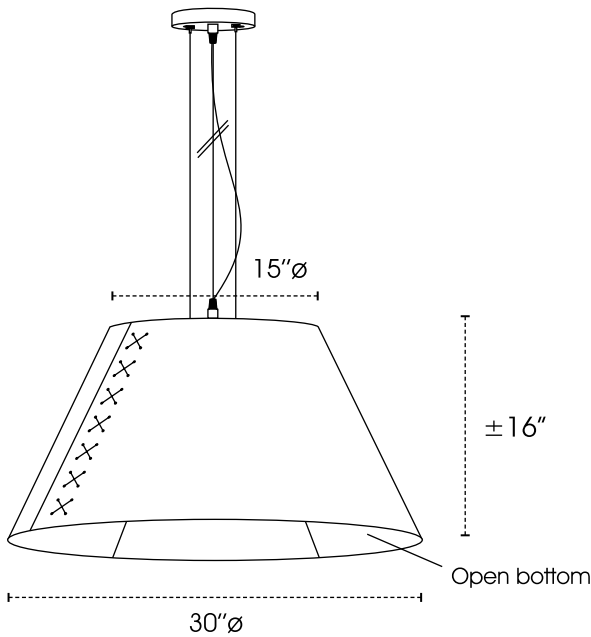
DOHA S

PROJECT NAME / NOM DU PROJET

Date

Type

Notes



Voltage / Voltage

120V	277V	347V
-------------	-------------	-------------

Dimming Option / Option de gradation

0-10V	0-10V Dimming 120V-277V	
ND	No Dimming	• Other Option Available

Light Source / Source lumineuse

MBL-A21-1	1 X 19W A21 LED	
CF32-1	1 X 32W CF G24 Q-2 Base	
GU32-1	1 X 32W GU24 Base	
LED-7.4-I	Integral LED Module 7.4W	• Other Option Available

Color Temperature - Lumens

Température de couleur - lumens

27	2700K	910 lm	
30	3000K	1160 lm	
35	3500K	1190 lm	
40	4000K	1200 lm	

Structure Finish / Fini structure

SN Satin Nickel	SB Satin Brass	CHR Chrome
BK Black Semi-Gloss	WH White Semi-Gloss	• Other Finish Available

Suspension Option / Option de suspension

ST Stem (Same Color As Structure)			
1 X Aircraft Cable + Round Electrical Wire	CL2WH White	CL2CLR Clear	CL2BK Black
3 X Aircraft Cable + Round Electrical Wire	CL4WH White	CL4CLR Clear	CL4BK Black
			• Other Wire Color Available • Sloped Ceiling Adapter Available

Shade Finish / Fini abat-jour

BEW Beige Wool Fabric	GYW Grey Wool Fabric	RDW Red Wool Fabric
BLW Blue Wool Fabric	GNW Green Wool Fabric	YLW Yellow Wool Fabric
		• Other Wool Color Available

Due to continuous improvement, we reserve the right to change our products specifications.

Dans le but d'une constante amélioration, nous nous réservons le droit de changer les spécifications de nos produits.

