

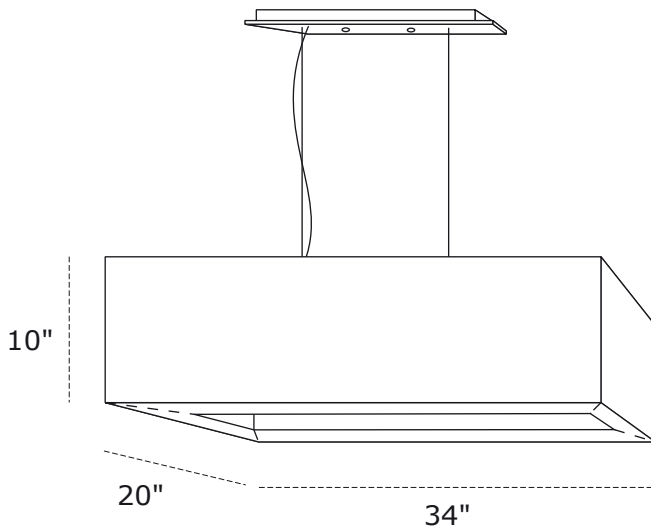
Calypso

PROJECT NAME / NOM DU PROJET

Date

Type

Notes



Voltage / Voltage

120V 277V 347V

* Dimmable ballast available

Structure finish / Fini structure

Satin nickel Brushed brass
 Chrome White
 Brass Black

* Other finishes available on request



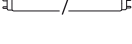
Suspension option / Option de suspension

Satin nickel stem White stem
 Chrome stem Brass stem
 Black stem Satin brass stem
 Aircraft cable + clear cable
 Aircraft cable + black cable
 Aircraft cable + white cable

* Other finishes available

** Sloped ceiling adapter available

Light source / Source lumineuse

4 x BULB A19 Med	60W		<input type="checkbox"/>
4 x BULB Fluo Comp	13W		<input type="checkbox"/>
4 x BULB GU24 Base	26W		<input type="checkbox"/>
2 x T5	24W		<input type="checkbox"/>
LED			<input type="checkbox"/>

* Other light source / wattage available on request

Shade finish / Fini d'abat-jour

White fabric Beige fabric
 Black fabric Polycarbonate
 Ivory fabric

* Other colors and textures available

All standard and custom-made product were tested and approved according to the code of normalizations (standardizations). A label affixed on the product gives evidence of it.

Tous produits standards et sur mesure ont été testés et approuvés selon le code de normalisations. Une étiquette apposée sur le produit en atteste.