

**Specification sheet / Fiche technique**  
SUSPENSION

# CARLTON - S

**Structure Finish / Fini structure**

<b>SN</b>	Satin Nickel	<b>BK</b>	Black Semi-Gloss
<b>SB</b>	Satin Brass	<b>WH</b>	White Semi-Gloss
<b>CHR</b>	Chrome		<i>• Other Finish Available</i>

**Suspension Option / Option de suspension**

<b>ST</b>	Stem (Same Color As Structure)		
	3 X Aircraft Cable + Round Electrical Wire	4 X Aircraft Cable + Round Electrical Wire	
<b>CL4WH</b>	White	<b>CL5WH</b>	White
<b>CL4CLR</b>	Clear	<b>CL5CLR</b>	Clear
<b>CL4BK</b>	Black	<b>CL5BK</b>	Black
			<i>• Other Wire Color Available</i> <i>• Sloped Ceiling Adapter Available</i>

**Shade Finish / Fini abat-jour**

<b>MG</b>	Metallic Grey Powder Coated		
<b>GDPC</b>	Gold Powder Coated		
<b>BK</b>	Black Semi-Gloss Powder Coated		
<b>MBK</b>	Matte Black Powder Coated		
<b>WH</b>	White Semi-Gloss Powder Coated		
<b>MWH</b>	Matte White Powder Coated		<i>• Other Finish Available</i>

**Shade Finish / Fini abat-jour**

<b>WHF</b>	White Fabric	<b>WHWF</b>	White Washable Fabric
<b>BKF</b>	Black Fabric	<b>OWHWF</b>	Off White Washable Fabric
<b>IVF</b>	Ivory Fabric	<b>TPWF</b>	Taupe Washable Fabric
<b>BEF</b>	Beige Fabric		<i>• Other Option Available</i>

**Voltage / Voltage**

<b>120V</b>	<b>277V</b>
-------------	-------------

**Dimming Option / Option de gradation**

<b>0-10V</b>	0-10V Dimming 120V-277V	
<b>ND</b>	No Dimming	<i>• Other Option Available</i>

**Light Source / Source lumineuse**

<b>MBL-A21-4</b>	4 X 19W A21 LED	
<b>LED-6.5-I</b>	Integral LED ±6.5W	<i>• Other Option Available</i>

**Color Temperature - Lumens**

**Température de couleur - lumens**

30	3000K	1180 lm	40	4000K	1180 lm
35	3500K	1180 lm	50	5000K	1180 lm

**Project name / Nom du projet**

---



---



---

**Date**

**Type**

---

**Notes**

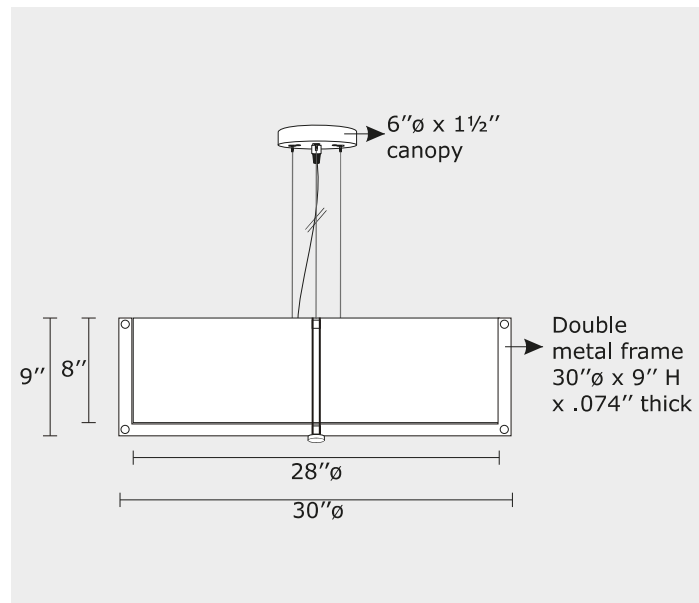
---



---



---



Due to continuous improvement, we reserve the right to change our products specifications.

Dans le but d'une constante amélioration, nous nous réservons le droit de changer les spécifications de nos produits.

