

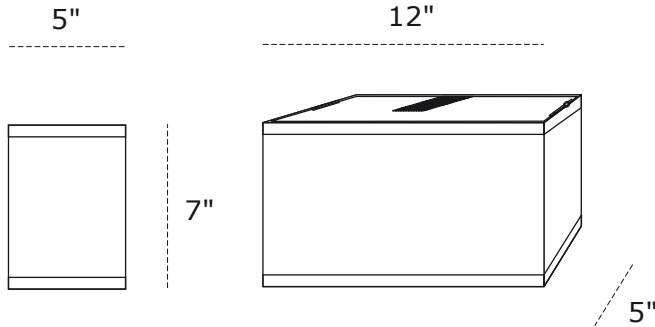
Brooklyn

PROJECT NAME / NOM DU PROJET

Date

Type

Notes



Voltage / Voltage

120V 277V 347V

* Dimmable ballast available

Structure finish / Fini structure

Satin nickel Brushed brass
 Chrome White
 Brass Black

* Other finishes available on request

Shade finish / Fini d'abat-jour

White fabric Beige fabric
 Black fabric Polycarbonate
 Ivory fabric Acrylic

* Other colors and textures available

Diffuseur / Diffuseur

White acrylic Red acrylic

* Other colors available

Light source / Source lumineuse

2 x BULB B10 Cand	60W		<input type="checkbox"/>
2 x BULB Fluo Comp	13W		<input type="checkbox"/>
2 x BULB GU24 Base	13W		<input type="checkbox"/>
2 x BULB G24 Q2 Base	13W		<input type="checkbox"/>
LED			<input type="checkbox"/>

* Other light source / wattage available on request

Shade finish / Fini d'abat-jour

Metallic grey powder coated Nickel finish
 Black powder coated Chrome finish
 White powder coated

* Other plating finishes & colors of powder coated paint available

All standard and custom-made product were tested and approved according to the code of normalizations (standardizations). A label affixed on the product gives evidence of it.

Tous produits standards et sur mesure ont été testés et approuvés selon le code de normalisations. Une étiquette apposée sur le produit en atteste.