

AIXAM 12

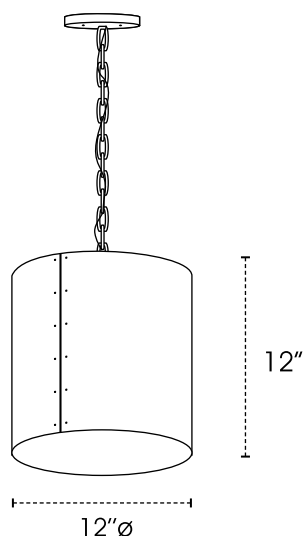


PROJECT NAME / NOM DU PROJET

Date

Type

Notes



Voltage / Voltage

Light Source / Source lumineuse

MBL-A21-1	1 X 19W A21 LED
MBL-PAR20-1	1 X 11W PAR20 LED
MBL-PAR30-1	1 X 18.5W PAR30 LED
MBL-PAR38-1	1 X 18.5W PAR38 LED
MBL-BR30-1	1 X 11.5W BR30 LED
MBL-G40-1	1 X 6.4W G40 LED
<i>• Other Option Available</i>	

Structure Finish / Fini structure

SN Satin Nickel	SB Satin Brass	CHR Chrome
BK Black Semi-Gloss	WH White Semi-Gloss	
<i>• Other Finish Available</i>		

Suspension Option / Option de suspension

ST Stem (Same Color As Structure)		
Raw Steel Chain With Round Electrical Cable	CHCL1WH White	CHCL1BK Black
<i>• Other Wire Color Available</i>		

Shade Finish / Fini abat-jour

MG Metallic Grey Powder Coated	BK Black Semi-Gloss Powder Coated
MBK Matte Black Powder Coated	WH White Semi-Gloss Powder Coated
MWH Matte White Powder Coated	RMCLR Raw Metal with Clear Lacquer
<i>• Other Finish Available</i>	

Due to continuous improvement, we reserve the right to change our products specifications.

Dans le but d'une constante amélioration, nous nous réservons le droit de changer les spécifications de nos produits.

